

GENERAL/ERECTION NOTES:

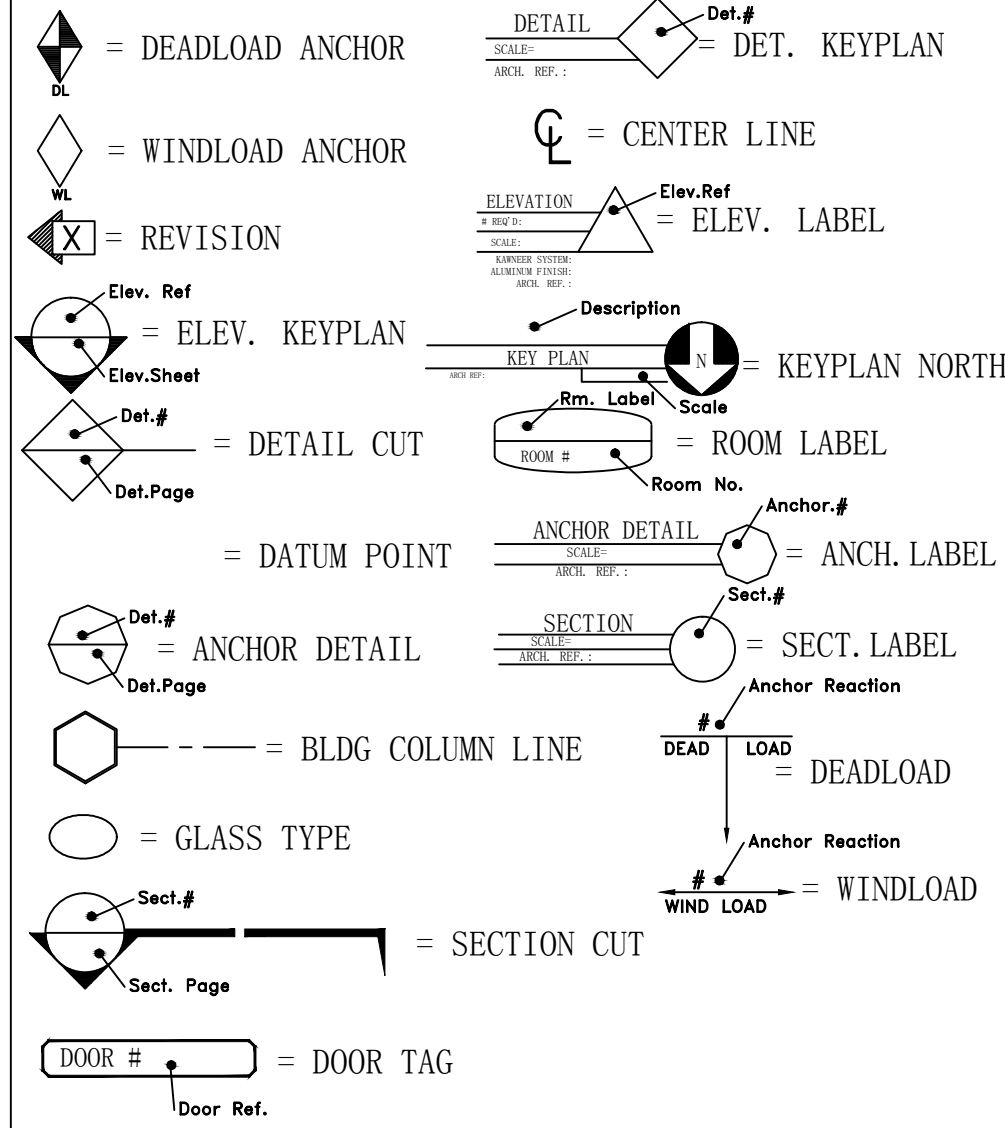
1. ALL SEALANTS AND/OR CAULKING ARE TO BE APPLIED IN STRICT ACCORDANCE WITH THE MANUFACTURER'S PRINTED INSTRUCTIONS. THE COMPATIBILITY OF SEALANTS AND OTHER MATERIALS SHALL BE CHECKED WITH THE SEALANT MANUFACTURER.
2. FIELD VERIFY ALL DIMENSIONS
3. ERECTION AND GLAZING PROCEDURES ARE TO BE IN ACCORDANCE WITH PROCEDURES IN THE INSTALLATION INSTRUCTION SHEETS FURNISHED BY ARCHITECTURAL ALUMINUM SUPPLIER.
4. ALL WALLS ARE TO BE ERECTED PLUMB AND LEVEL IN VERTICAL AND HORIZONTAL DIRECTIONS.
5. ALL CURTAIN WALLS ARE TO BE LAID OUT FROM CENTER LINE OF BUILDING OR MASONRY OPENINGS.
6. CONTROL LINES SHOULD BE LOCATED WITH TRANSIT WHENEVER POSSIBLE, OR VERTICAL PLUMB LINE, WORKING MULTIPLE FLOORS.
7. ALL WINDLOAD AND DEADLOAD ANCHORS ARE TO BE ERECTED AND UTILIZED AS DEPICTED ON THE APPROVED DRAWINGS.
8. ALL CLIPS, MISCELLANEOUS ATTACHMENTS, NUTS, BOLTS, SCREWS, ETC., MUST BE FURNISHED AS DESCRIBED AND INSTALLED AS DETAILED ON THE APPROVED DRAWINGS AND/OR INSTALLATION INSTRUCTIONS.
9. ALL FASTENER SIZE, LOCATION, AND TYPE ARE TO BE PER ARCHITECTURAL ALUMINUM SUPPLIERS SYSTEM(S) TEST REPORTS AND/OR PROFESSIONAL ENGINEER / BUILDING ENGINEER RECOMMENDATION (UNLESS OTHERWISE NOTED)

ADDITIONAL NOTES:

- 1.)THESE SHOP DRAWINGS WERE DRAFTED FROM INFORMATION SUPPLIED BY THE CONTRACTOR, ARCHITECT AND/OR OWNER. IT IS THE RESPONSIBILITY OF THE CONTRACTOR, ARCHITECT AND /OR THE OWNER TO CHECK THESE DRAWINGS FOR ACCURACY AND CONTENT AS WELL AS FOR THE COMPLIANCE WITH ALL APPLICABLE BUILDING CODES, STATUTES, ORDINANCES REGULATIONS, AND RULES PRIOR TO CONSTRUCTION.
- 2.)DIMENSIONS SHOWN ARE NOMINAL, GLAZING CONTRACTOR TO OBTAIN FIELD DIMENSIONS PRIOR TO FABRICATION.

DESIGN CRITERIA:

SYMBOLS:



ABBREVIATIONS

- DO = DOOR OPENING  
 DOH = DOOR OPENING HEIGHT  
 DOW = DOOR OPENING WIDTH  
 WD = WINDOW DIMENSION  
 SGD = SLIDING GLASS DOOR DIM.  
 FH = FRAME HEIGHT  
 FO = FRAME OPENING  
 FW = FRAME WIDTH  
 MO = MASONRY OPENING  
 GC = GENERAL CONTRACTOR  
 ML = MULLION LENGTH  
 K# = KEYPLAN SHEET(S)  
 E# = ELEVATION SHEET(S)  
 D# = DETAIL SHEET(S)  
 S# = SCHEDULE SHEET(S)  
 C# = COVER SHEET(S)  
 P# = NEW PROFILE SHEET(S)  
 I.P. = INSTALL IN PLANT  
 F.I. = FIELD INSTALLATION  
 F.M. = FIELD MODIFY  
 W.P. = WORK POINT  
 REQ'D = REQUIRED  
 EQ. = EQUAL  
 A.C.G. = ROBINSON GLAZING SOLUTIONS, LLC  
 N.B.A.C.G. = NOT BY ROBINSON GLAZING SOLUTIONS, LLC

SYSTEM(S) USED:



YCW 750 SSG FL #15921-R2 2-1/2" x 6-9/16" 4-SIDE CURTIAN WALL SYS. for 1" GLAZING

YES 45 TU FL #12926-R6 2" x 4 1/2" THERMAL STROEFRONT SYS. for 1" GLAZING

35D FL #12892-R4 MEDIUM STILE NON-IMPACT DOOR SYS. for 1/4" GLAZING

NOTE: "SEE DOOR HARDWARE SUMITTED PREVIOUSLY FOR APPROVAL."



SC-4030 (INTERIOR) SLIDING DRIVE THRU WINDOW SYS. OPEN For 1" GLASS

SC-3030-IP FL #23327.1 SLIDING DRIVE THRU WINDOW SYS. OPEN For 7/8" GLASS

MATERIAL FINISH(ES):

- STOREFRONT FINISH..... "Clear Anodized"  
 CURTAIN WALL FINISH..... "Clear Anodized"  
 DOOR FINISH..... "Clear Anodized"  
 WINDOW FINISH..... "Clear Anodized"

GLAZING LEGEND:

- ⓐ - 1" TEMPERED INSULATED SB70XL Surface #2  
 ⓑ - 7/8" TEMPERED INSULATED w/ SB70XL Surface #2

SHEET LEGEND:



ANDY'S  
Frozen Custard

4046 S. FLORIDA AVE  
LAKELAND, FLORIDA

- |      |                                  |
|------|----------------------------------|
| C. 1 | COVER PAGE                       |
| E. 1 | YCW 750 SSG Elevations           |
| E. 2 | YCW 750 SSG / 35D Elevations     |
| E. 3 | YES 45 TU / 35D / QUIKserv Elev. |
| E. 4 | YES 45 TU / 35D / QUIKserv Elev. |

- |      |                           |
|------|---------------------------|
| D. 1 | YCW 750 SSG Details       |
| D. 2 | YCW 750 SSG Details       |
| D. 3 | YES 45 TU Details         |
| D. 4 | YCW 750 SSG / 35D Details |

- |      |                              |
|------|------------------------------|
| D. 5 | YES 45 TU / 35D Details      |
| D. 6 | IFSC-4030 PASS-THRU Details  |
| D. 7 | SC-3030-IP PASS-THRU Details |
| D. 8 | YCW 750 SSG Details          |

(13) Pages in Submittal

PROJECT APPROVAL AREA:

GENERAL CONTRACTOR:

COMPANY NAME

AUTHORIZED REPRESENTATIVE

DATE

SIGNATURE

ARCHITECT:

COMPANY NAME

AUTHORIZED REPRESENTATIVE

DATE

SIGNATURE

OWNER / OWNER(s) Representative:

COMPANY NAME

AUTHORIZED REPRESENTATIVE

DATE

SIGNATURE



Division 8  
 Ocala, Florida - USA  
 PH: (321) 419-6703  
 rmoxham@div-08.com



CLIENT REVIEW DATE: 20/05/15  
 1st SUBMITTAL ISSUE DATE:  
 ENGINEER REVIEW DATE:

rev #	Revision Description	Issue Date	ICD BY

ARCHITECT NAME and LOCATION:  
 Finkle + Williams Architecture  
 LAKELAND, FL

PROJECT NAME and LOCATION:  
 Andy's Frozen Custard  
 Lakeland, Florida

SCALE:	ENGINEER:
As Noted	
CHECKED BY:	DRAWN BY:
d.s.	dd.l
DESCRIPTION: NOTES & COVER SHEET(S)	
SHEET NUMBER: C.1	
PRO-200409	





Division 8  
 Ocala, Florida - USA  
 PH: (321) 419-6703  
 rmoxham@div-08.com



GLAZING CONTRACTOR:  
 EDL GLAZING LINES  
 Residential, Commercial, Glass, Mirror  
 311 Altamonte Commerce Blvd #1616  
 Altamonte Springs, FL 32714  
 PH: (407) 644-4272 www.EDLglazing.com

CLIENT	REVIEW DATE:
20/05/15	20/05/15
1st SUBMITTAL	ISSUE DATE:
ENGINEER	REVIEW DATE:

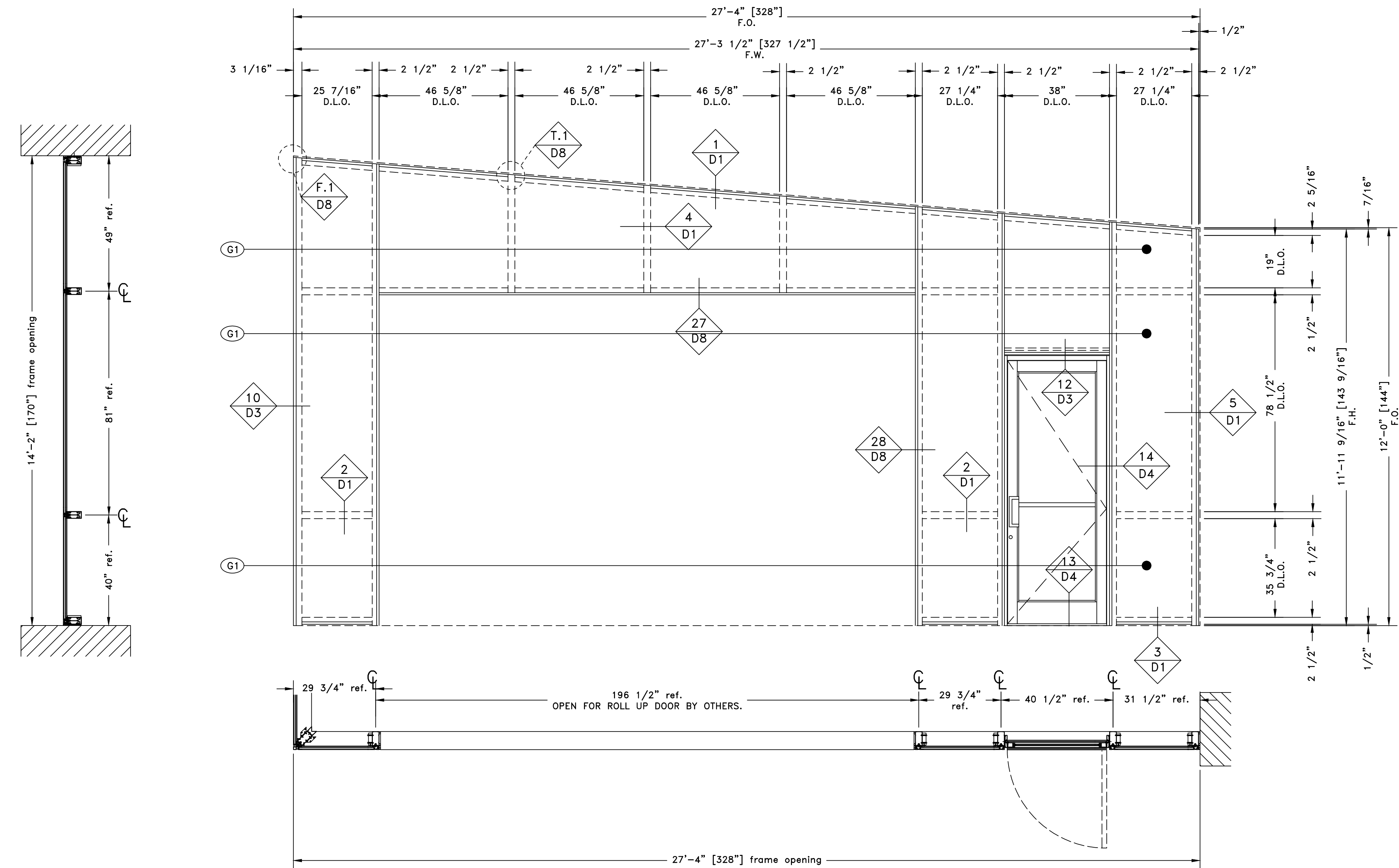
ICD	BY
Issue	Date

Rev #	Revision Description

COMPONENTS and CLADDING ENGINEER:  
 ARCHITECT NAME and LOCATION:  
 Finkle + Williams Architecture  
 LAKELAND, FL  
 PROJECT NAME and LOCATION:  
 Andy's Frozen Custard  
 Lakeland, Florida

SCALE:	ENGINEER:
As Noted	
CHECKED BY:	DRAWN BY:
d.s.	dd.l
DESCRIPTION:	
YCW 750 SSG ELEVATIONS	
SHEET NUMBER:	
E.1	

PRO-200409



ELEVATION  
 # REQ'D: 01  
 SCALE: 1/2" = 1'-0"  
 YCW 750 SSG  
 SYSTEM FINISH: CLEAR ANODIZED  
 ARCH. REFERENCE: 2/A4.01  
 cw. 1

DOOR # 100, A



Division 8  
 Ocala, Florida - USA  
 PH: (321) 419-6703  
 rmoxham@div-08.com

**EDL**  
 GLAZING CONTRACTOR  
**GLAZING LINES**  
 Residential, Commercial, Glass, Mirror  
 311 Altamonte Commerce Blvd #1616  
 Altamonte Springs, FL 32714  
 PH: (407) 644-4272  
 www.EDLglazing.com

CLIENT: [blank]  
 REVIEW DATE: 20/05/15  
 1st SUBMITTAL ISSUE DATE: [blank]  
 ENGINEER: [blank]  
 REVIEW DATE: [blank]

ICD BY: [blank]  
 BY: [blank]  
 Issue Date: [blank]

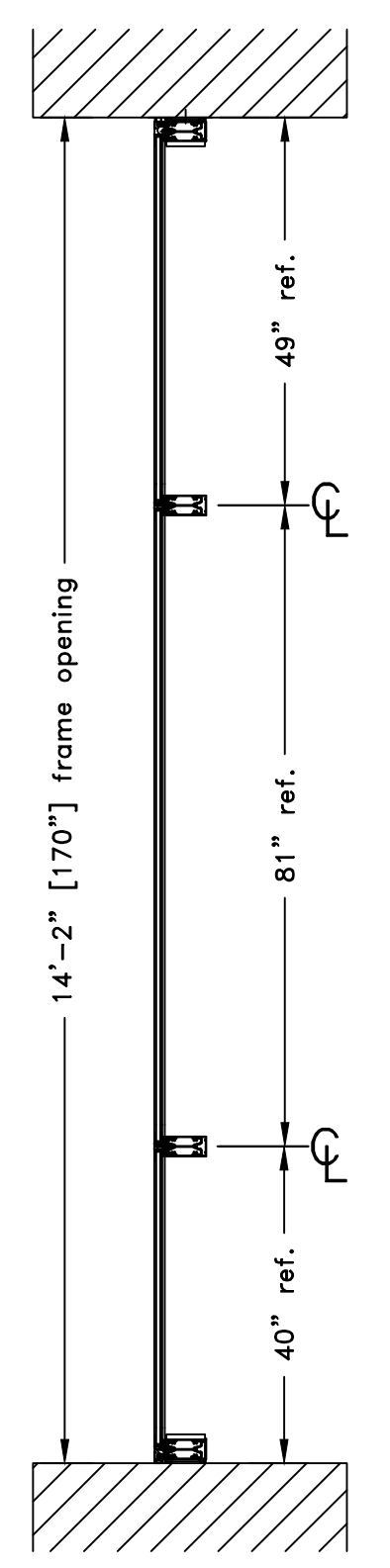
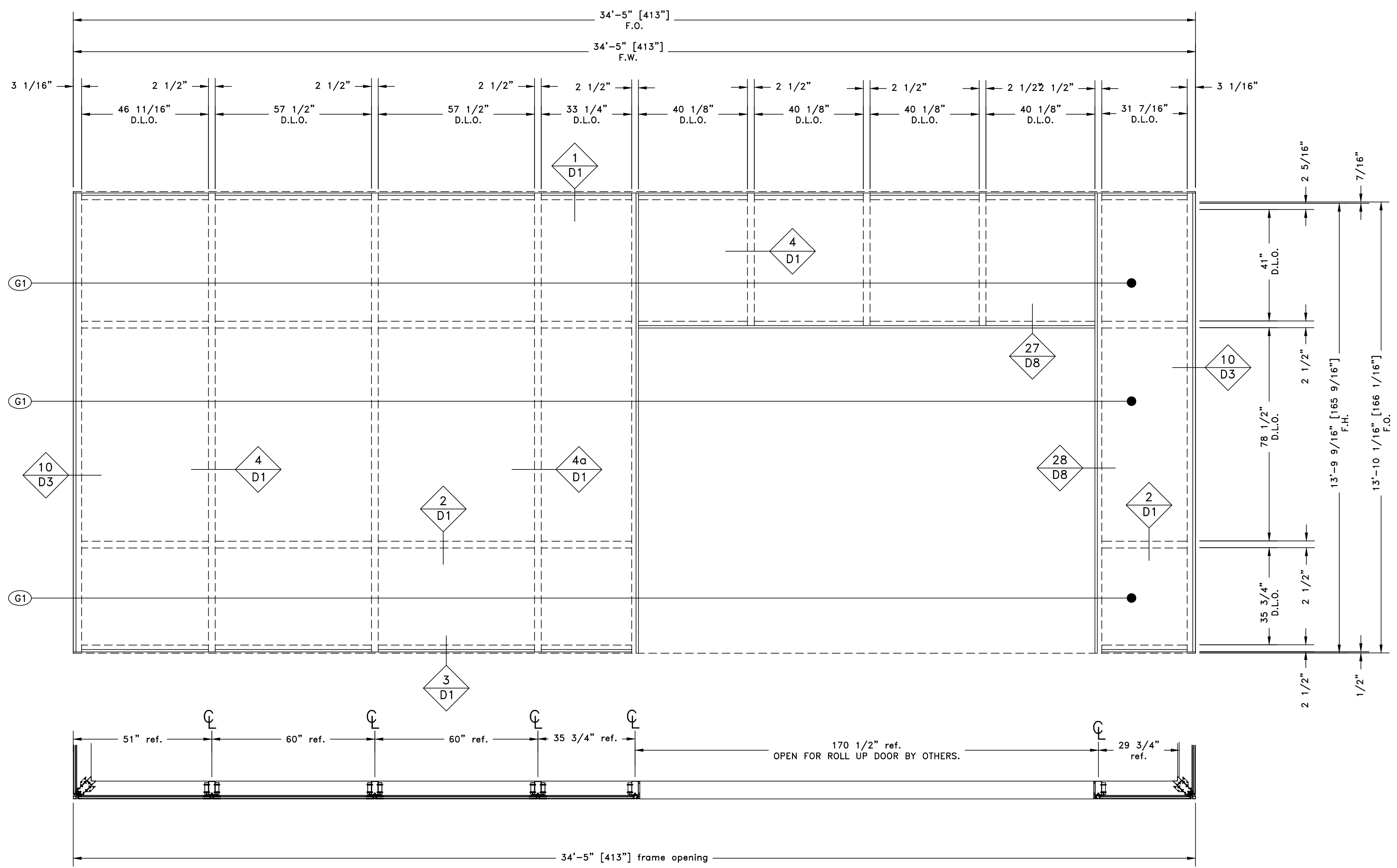
rev #	Revision Description

COMPONENTS and CLADDING ENGINEER:  
 ARCHITECT NAME and LOCATION:  
 Finkle + Williams Architecture  
 LAKELAND, FL  
 PROJECT NAME and LOCATION:  
 Andy's Frozen Custard  
 Lakeland, Florida

SCALE: As Noted  
 ENGINEER: [blank]  
 CHECKED BY: d.s.  
 DRAWN BY: dd.l

DESCRIPTION:  
 YCW 750 SSG  
 ELEVATIONS

SHEET NUMBER:  
**E.2**  
 PRO-200409



ELEVATION  
 # REQ'D: 01  
 SCALE: 1/2" = 1'-0"  
 YCW AP SYSTEM: YCW 750 SSG  
 SYSTEM FINISH: CLEAR ANODIZED  
 ARCH. REFERENCE: 2/A4.01  
**3**



Division 8  
 Ocala, Florida - USA  
 PH: (321) 419-6703  
 rmoxham@div-08.com

**EDL**  
**GLAZING LINES**  
 Residential, Commercial, Glass, Mirror  
 311 Altamonte Commerce Blvd #1616  
 Altamonte Springs, FL 32714  
 www.EDLglazing.com  
 PH: (407) 644-4272

CLIENT	20/05/15
REVIEW DATE:	
1st SUBMITTAL	
ISSUE DATE:	
ENGINEER	
REVIEW DATE:	

rev #	Revision Description	Issue Date	By	ICD

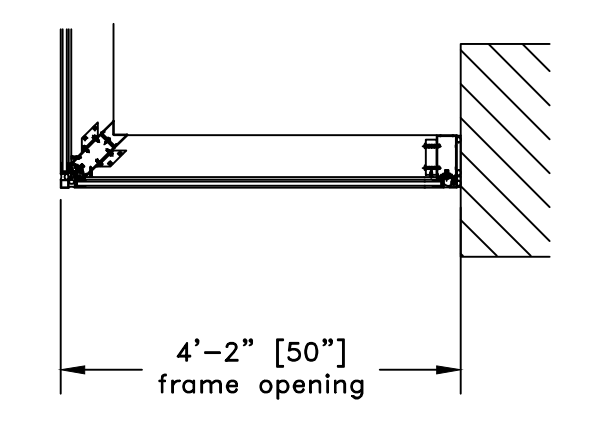
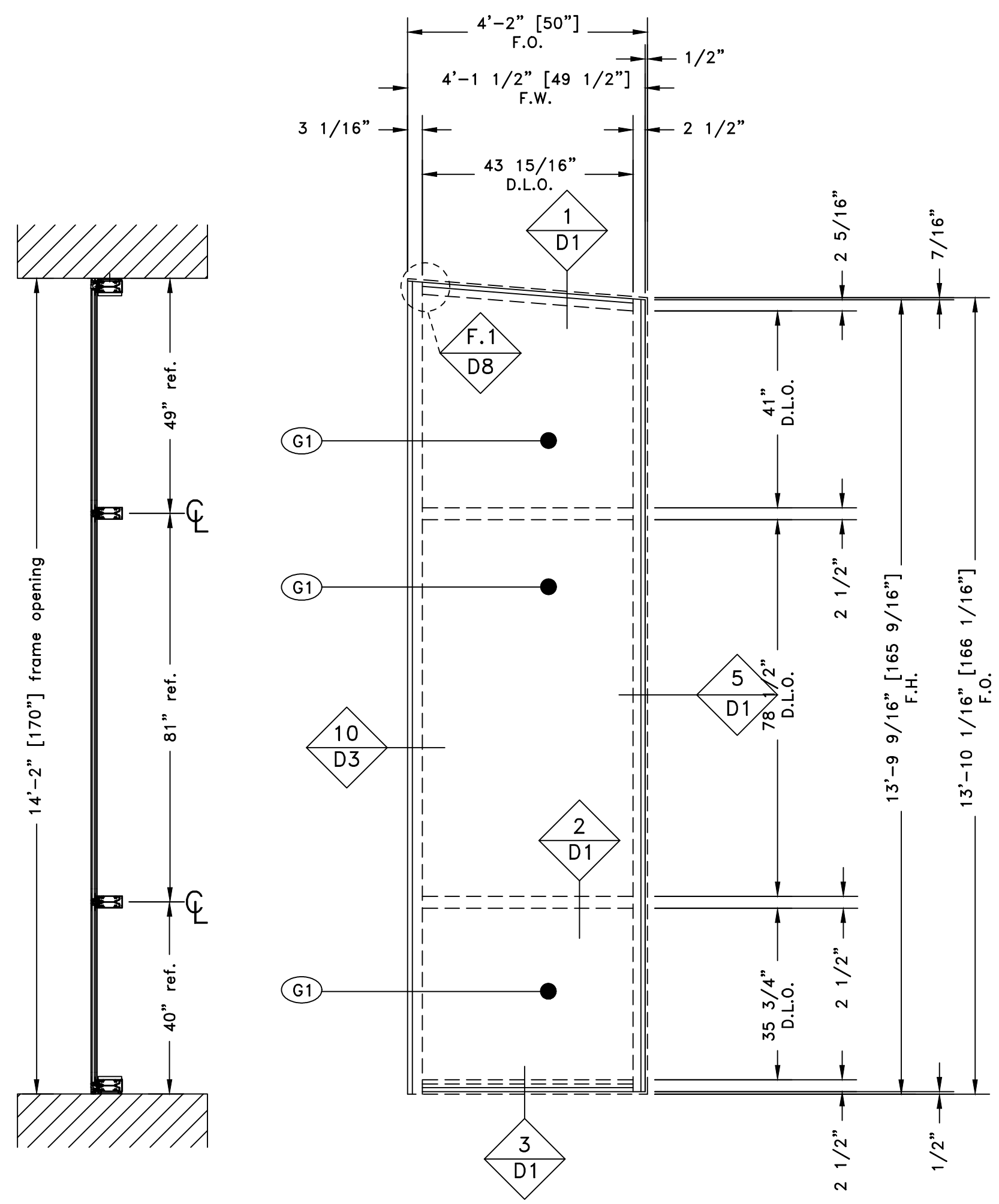
ARCHITECT NAME and LOCATION:	COMPONENTS and CLADDING ENGINEER:
Finkle + Williams Architecture LAKELAND, FL	
PROJECT NAME and LOCATION:	
Andy's Frozen Custard Lakeland, Florida	

SCALE:	ENGINEER:
As Noted	
CHECKED BY:	DRAWN BY:
d.s.	dd.l

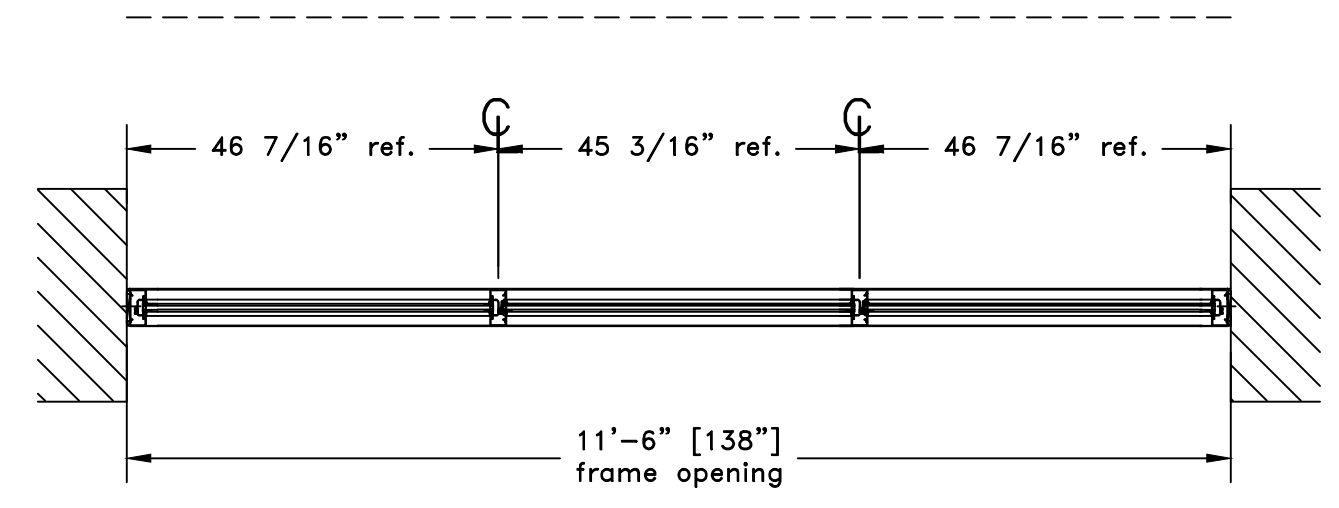
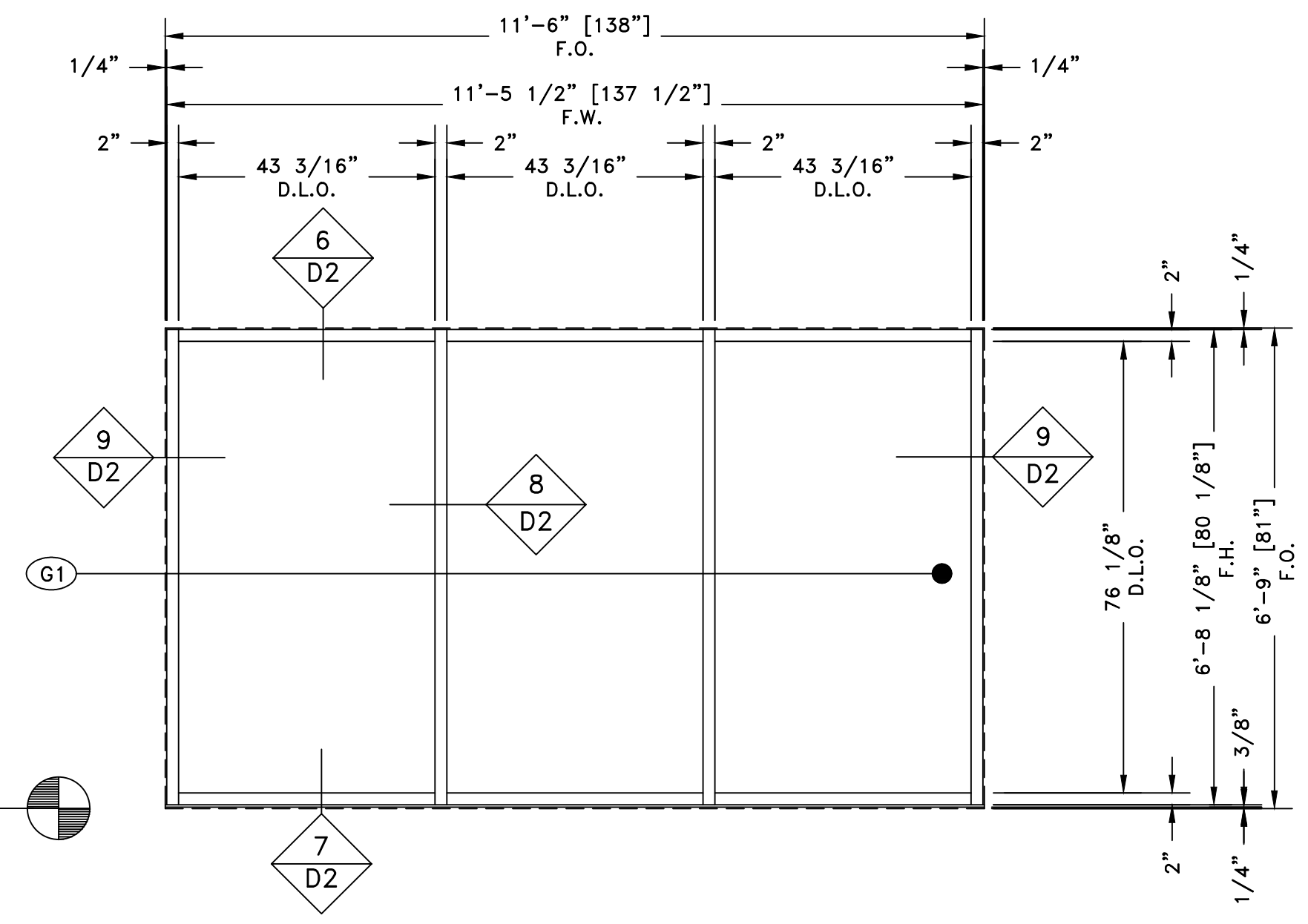
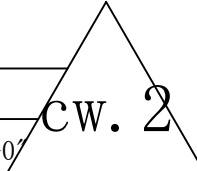
DESCRIPTION:  
 YCW\_750/YES 45  
 ELEVATIONS

SHEET NUMBER:  
**E.3**

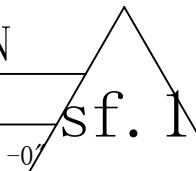
PRO-200409

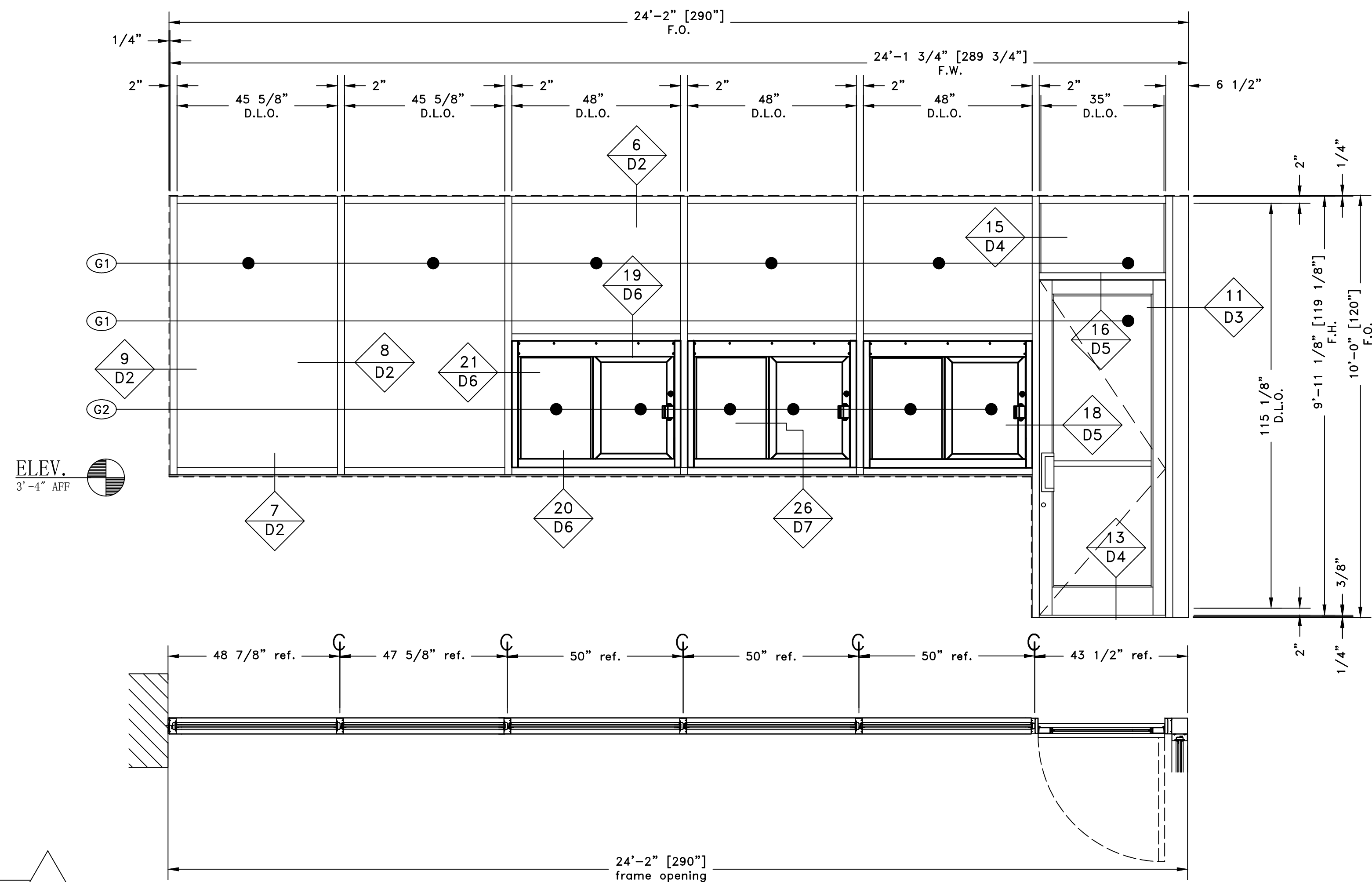


**ELEVATION**  
 # REQ' D: 02  
 SCALE: 1/2" = 1'-0"  
 YKK AP SYSTEM: YCW 750 SSG  
 SYSTEM FINISH: CLEAR ANODIZED  
 ARCH. REFERENCE: 2/A4.01



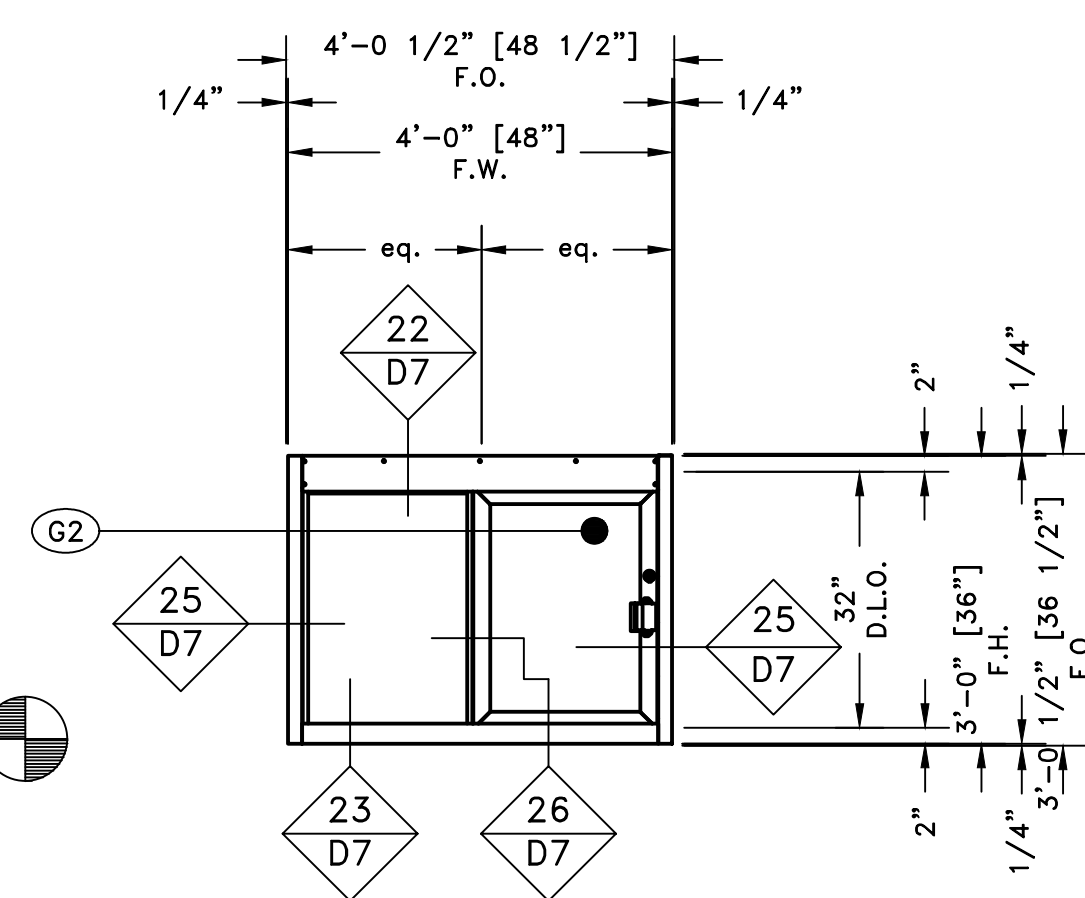
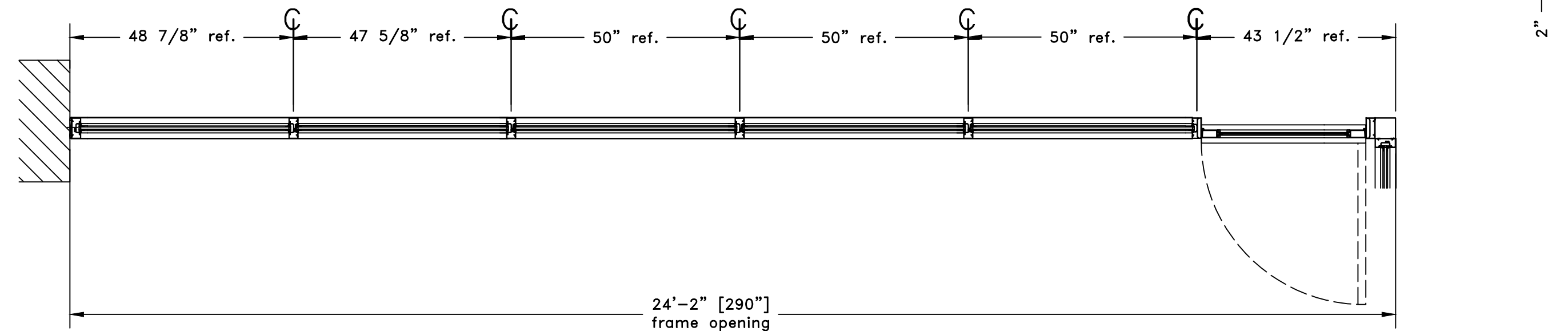
**ELEVATION**  
 # REQ' D: 01  
 SCALE: 1/2" = 1'-0"  
 YKK AP SYSTEM: YES 45 TU  
 SYSTEM FINISH: CLEAR ANODIZED  
 ARCH. REFERENCE: 2/A4.01





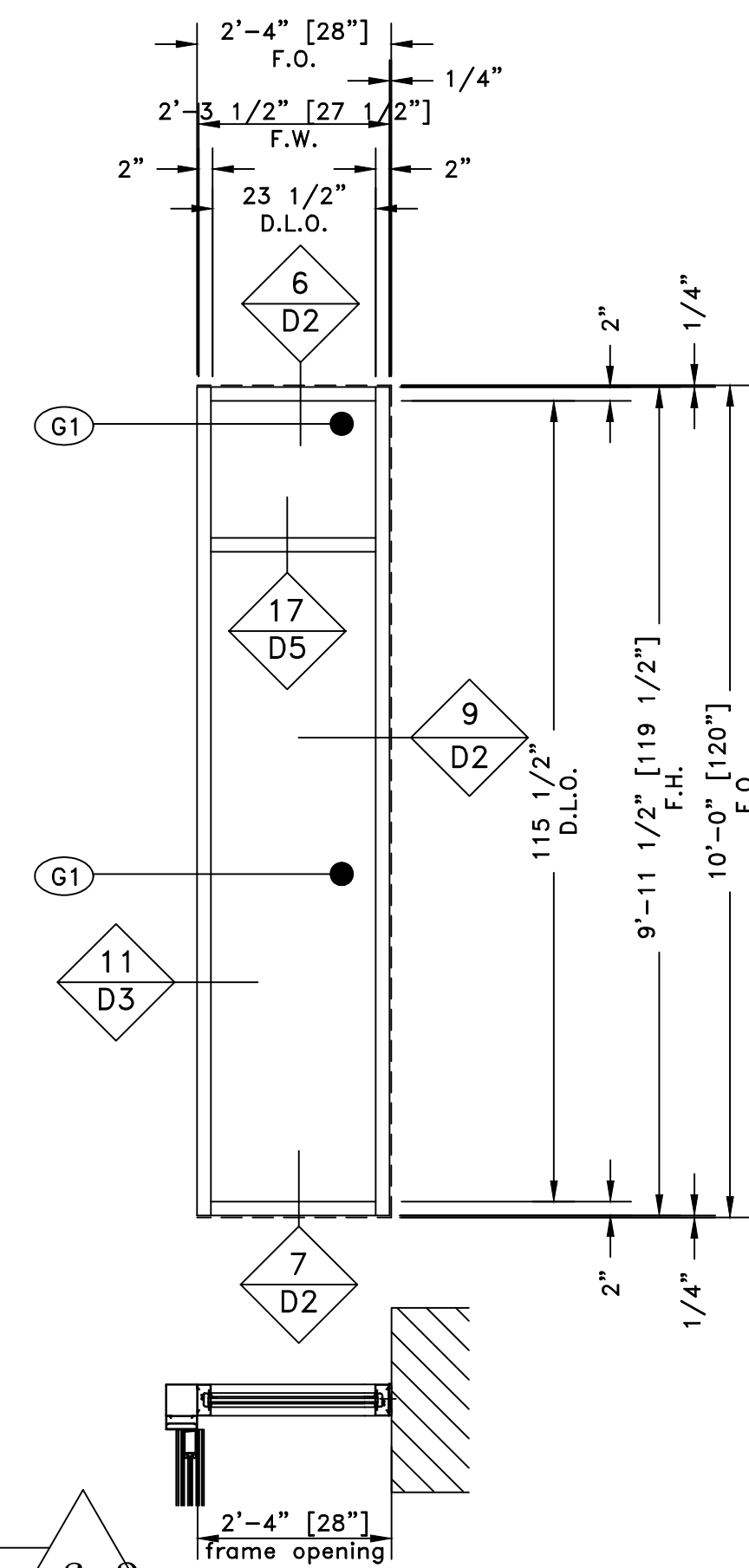
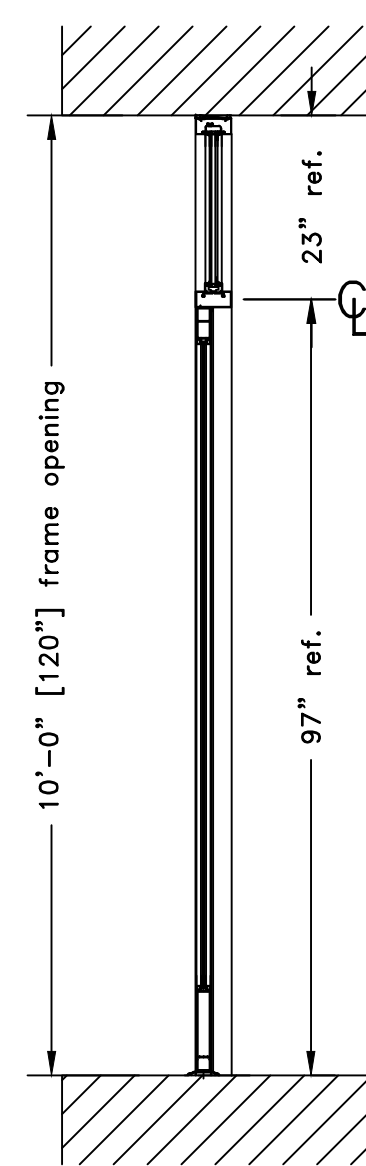
ELEV.  
3'-4" AFF

ELEVATION  
# REQ'D: 01  
SCALE: 1/2" = 1'-0"  
YKK AP SYSTEM: YES 45 TU  
SYSTEM FINISH: CLEAR ANODIZED  
ARCH. REFERENCE: 2/A4.01

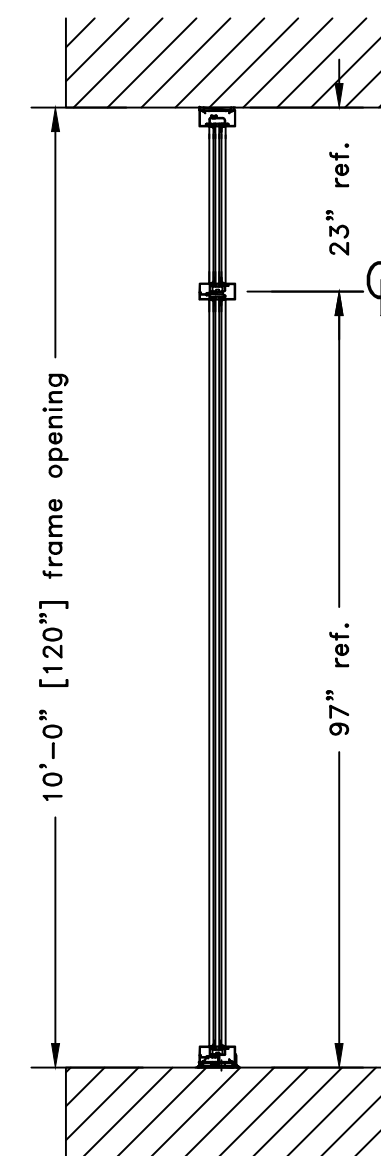


ELEV.  
3'-4" AFF

ELEVATION  
# REQ'D: 01  
SCALE: 1/2" = 1'-0"  
QuikServ SYSTEM: SC-3030-IP  
SYSTEM FINISH: CLEAR ANODIZED  
ARCH. REFERENCE: 1/A4.01



ELEVATION  
# REQ'D: 01  
SCALE: 1/2" = 1'-0"  
YKK AP SYSTEM: YES 45 TU  
SYSTEM FINISH: CLEAR ANODIZED  
ARCH. REFERENCE: 2/A4.01



Division 8  
OCALA, Florida - USA  
PH: (321) 419-6703  
rmoxham@div-08.com



CLIENT: 20/05/15  
REVIEW DATE: 1st SUBMITTAL  
REVIEW DATE: 20/05/15  
ENGINEER: 311 Altamonte Commerce Blvd #1616  
REVIEW DATE: Altamonte Springs, FL 32714  
PH: (407) 644-4272  
www.EDLglazing.com

rev #	Revision Description	Issue Date	By	Check

ARCHITECT NAME and LOCATION:  
Finkle + Williams Architecture  
LAKELAND, FL

PROJECT NAME and LOCATION:  
Andy's Frozen Custard  
Lakeland, Florida

SCALE: As Noted  
CHECKED BY: d.s.  
DRAWN BY: dd.l

DESCRIPTION:  
YES 45 / QuikSERV  
ELEVATIONS

SHEET NUMBER:  
E.4





Division 8  
 Ocala, Florida - USA  
 PH: (321) 419-6703  
 rmoxham@div-08.com



GLAZING CONTRACTOR:  
 EDL  
 Residential, Commercial, Glass, Mirror  
 311 Altamonte Commerce Blvd #1616  
 Altamonte Springs, FL 32714  
 PH: (407) 644-4272  
 www.EDLglazing.com

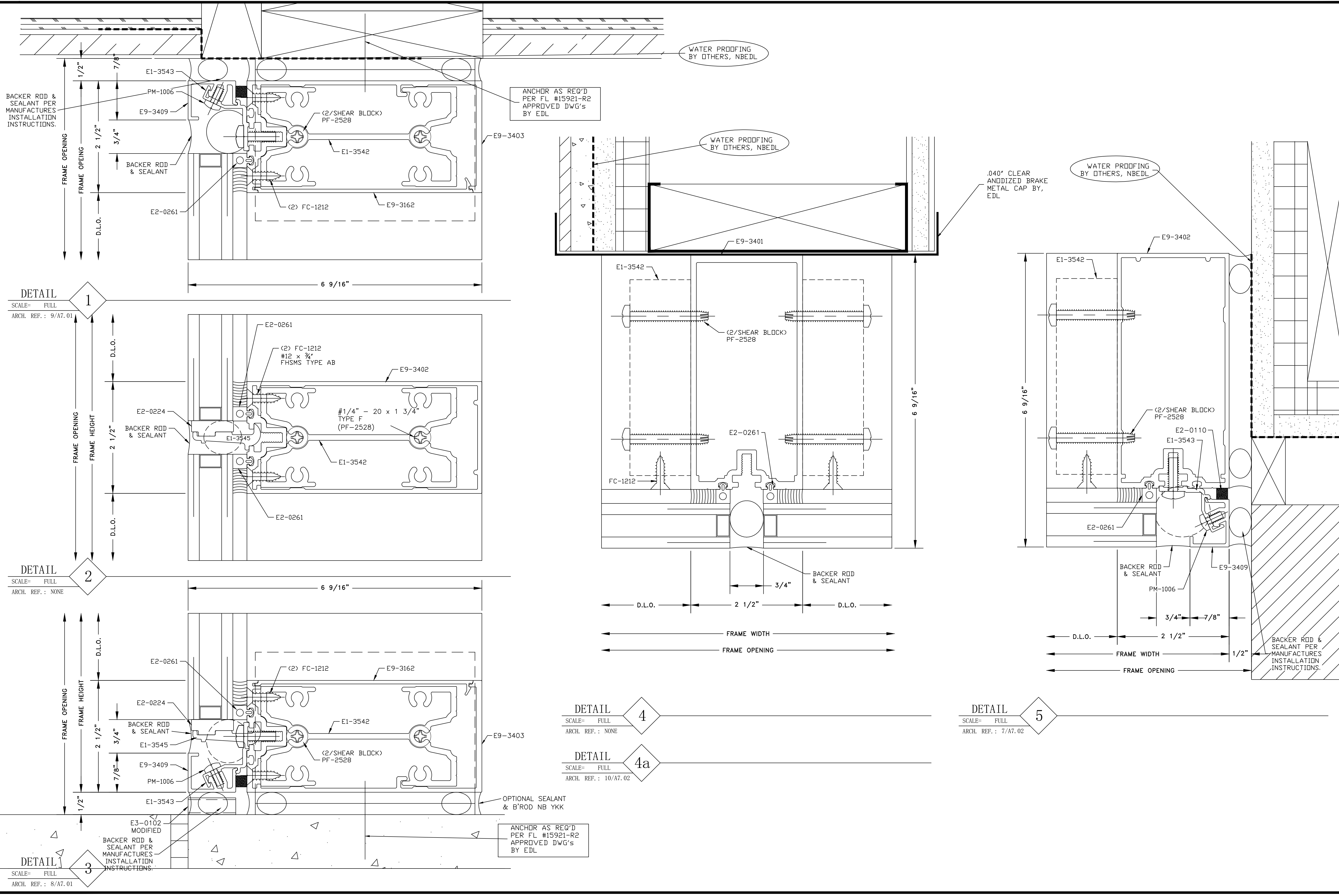
CLIENT	REVIEW DATE:
BY	20/05/15
DATE	1st SUBMITTAL
DATE	ISSUE DATE
ENGINEER	REVIEW DATE:
DATE	
DESCRIPTION	
rev #	

COMPONENTS and CLADDING ENGINEER:  
 Andy's Frozen Custard  
 Lakeland, Florida

ARCHITECT NAME and LOCATION:  
 Finkle + Williams Architecture  
 LAKELAND, FL  
 PROJECT NAME and LOCATION:  
 Andy's Frozen Custard  
 Lakeland, Florida

SCALE: As Noted  
 ENGINEER: YCW  
 CHECKED BY: d.s.  
 DRAWN BY: dd.l  
 DESCRIPTION:  
 YCW 750 SSG  
 DETAILS

SHEET NUMBER:  
 D.1  
 PRO-200409



DETAIL 1  
 SCALE= FULL  
 ARCH. REF.: 9/A7.01

DETAIL 2  
 SCALE= FULL  
 ARCH. REF.: NONE

DETAIL 3  
 SCALE= FULL  
 ARCH. REF.: 8/A7.01

DETAIL 4  
 SCALE= FULL  
 ARCH. REF.: NONE

DETAIL 4a  
 SCALE= FULL  
 ARCH. REF.: 10/A7.02

DETAIL 5  
 SCALE= FULL  
 ARCH. REF.: 7/A7.02



Division 8  
 Ocala, Florida - USA  
 PH: (321) 419-6703  
 rmoxham@div-08.com

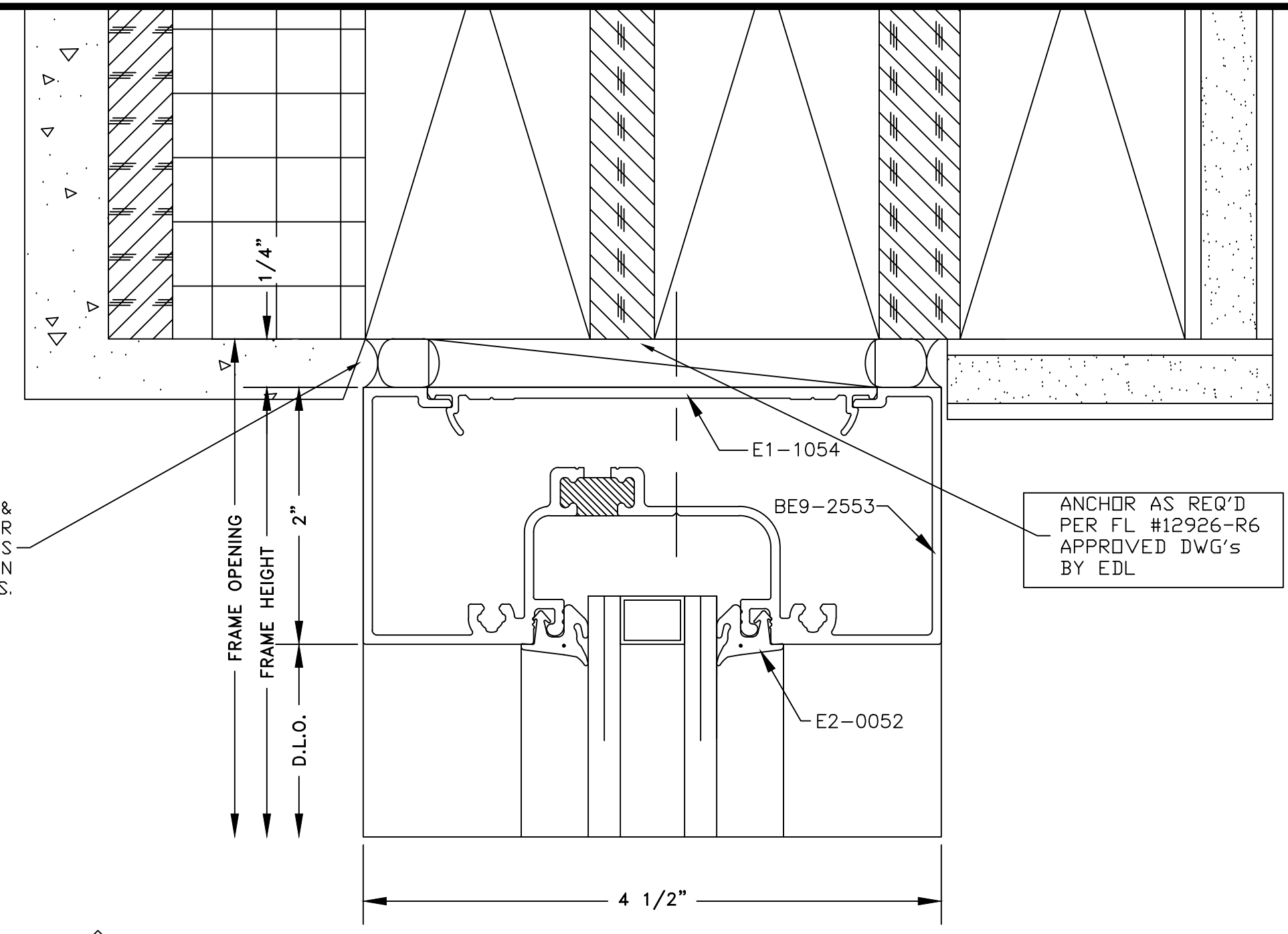
**EDL**  
 GLAZING CONTRACTOR  
 Residential, Commercial, Glass, Mirror  
 311 Altamonte Commerce Blvd #1616  
 Altamonte Springs, FL 32714  
 PH: (407) 644-4272 www.edlglazing.com

CLIENT	20/05/15
REVIEW DATE	
1st SUBMITTAL	
ISSUE DATE	
ENGINEER	
REVIEW DATE	
ICD BY	
Issue Date	
Revision Description	
rev #	

ARCHITECT NAME and LOCATION:  
 Finkle + Williams Architecture  
 LAKELAND, FL

PROJECT NAME and LOCATION:  
 Andy's Frozen Custard  
 Lakeland, Florida

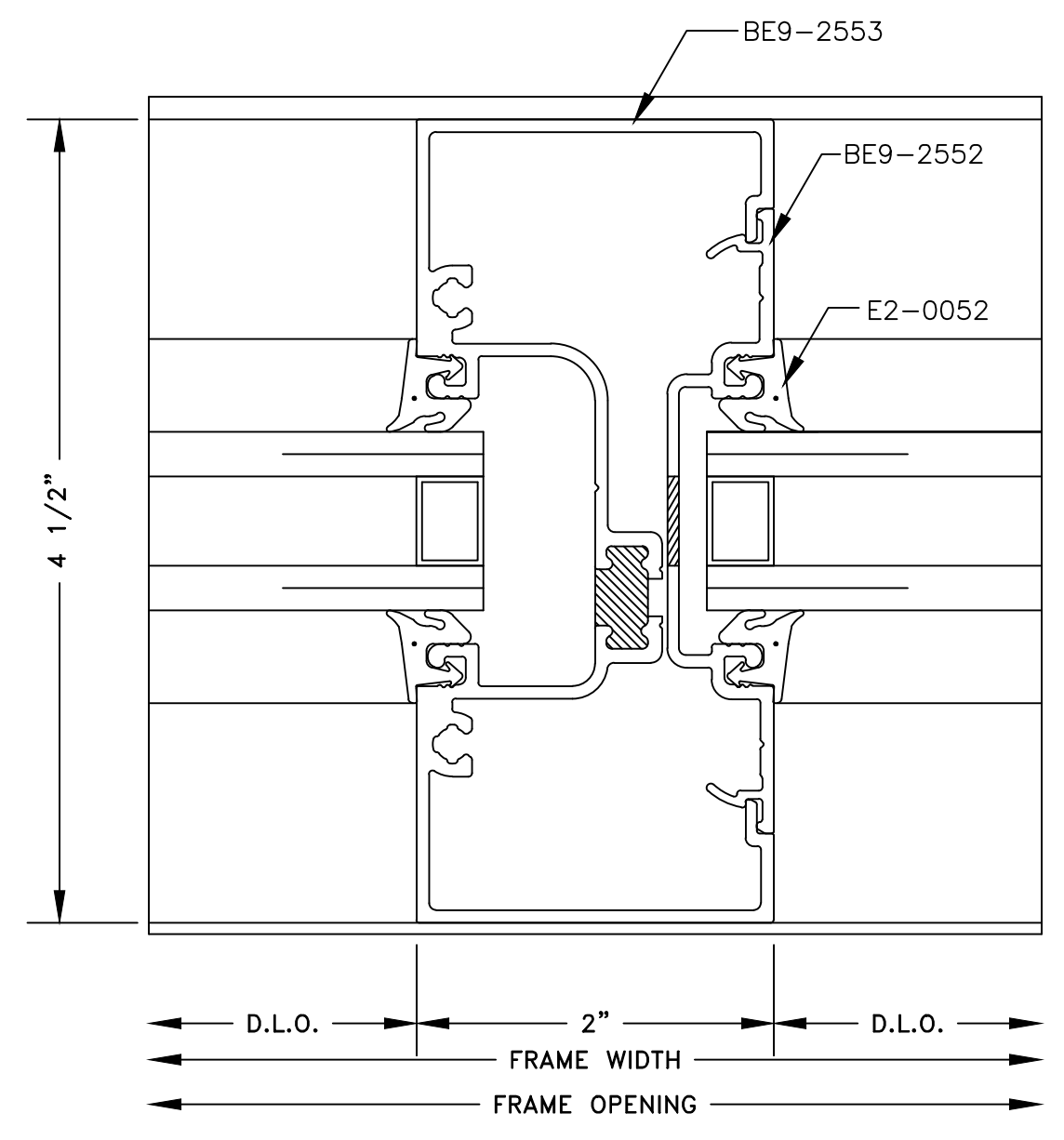
SCALE:	ENGINEER:
As Noted	
CHECKED BY:	DRAWN BY:
d.s.	dd.l
DESCRIPTION: YES 45 TU DETAILS	
SHEET NUMBER: D.2	
PRO-200409	



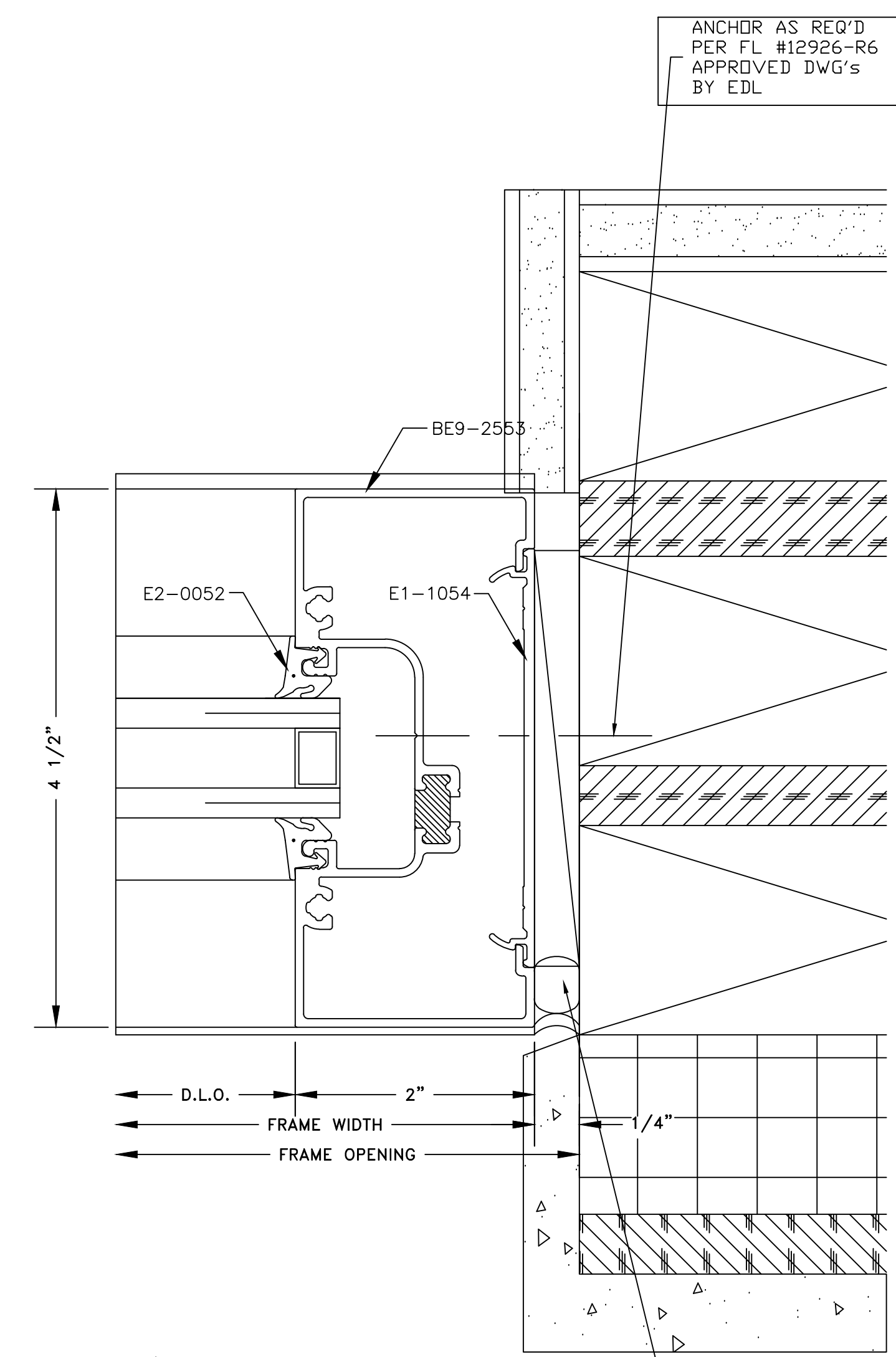
BACKER ROD & SEALANT PER MANUFACTURER'S INSTALLATION INSTRUCTIONS.

ANCHOR AS REQ'D PER FL #12926-R6 APPROVED DWG's BY EDL

DETAIL 6  
 SCALE= FULL  
 ARCH. REF.: 9/AS.03



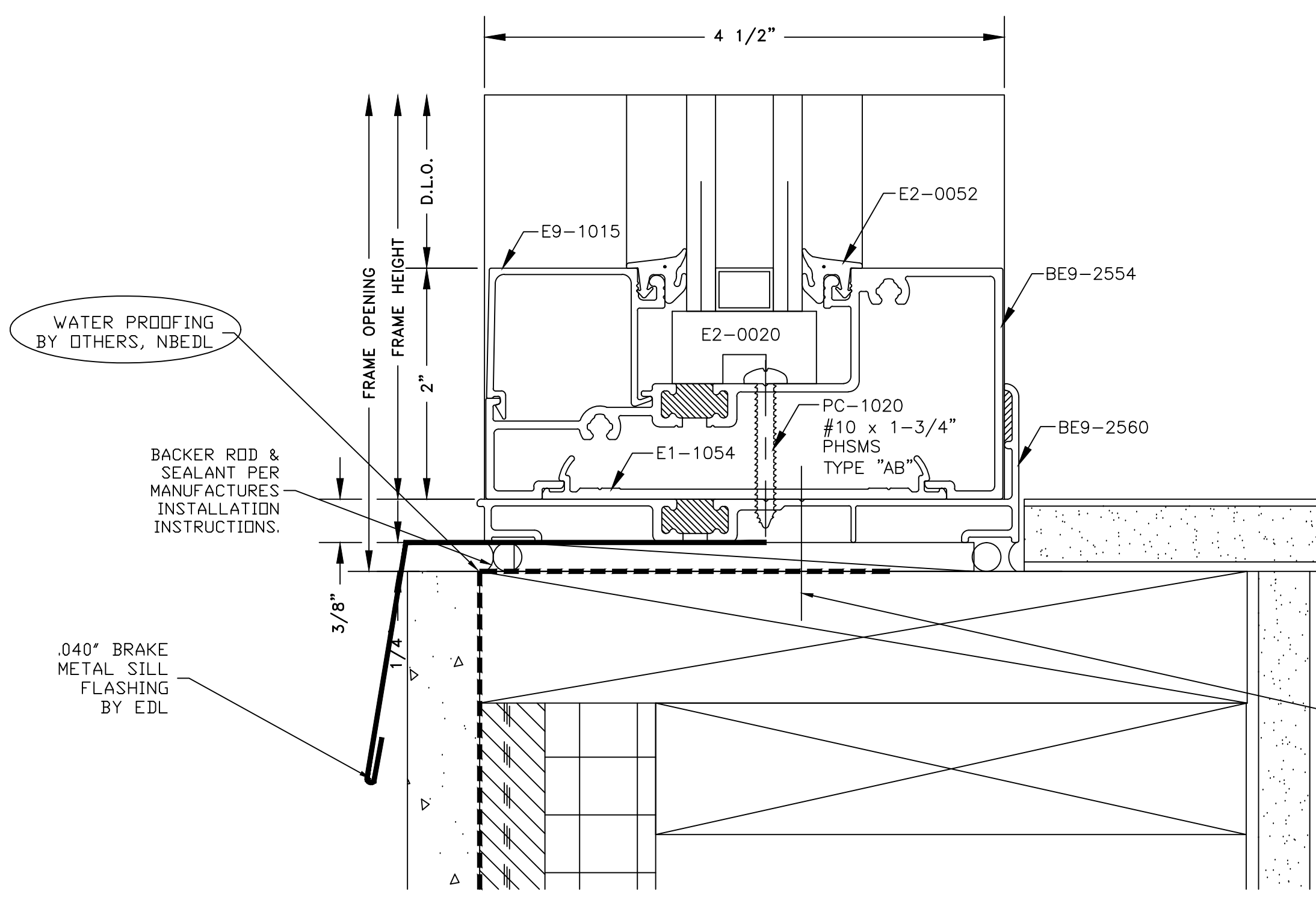
DETAIL 8  
 SCALE= FULL  
 ARCH. REF.: NONE



ANCHOR AS REQ'D PER FL #12926-R6 APPROVED DWG's BY EDL

BACKER ROD & SEALANT PER MANUFACTURER'S INSTALLATION INSTRUCTIONS.

DETAIL 9  
 SCALE= FULL  
 ARCH. REF.: 6/AS.03



WATER PROOFING BY OTHERS, NBE DL

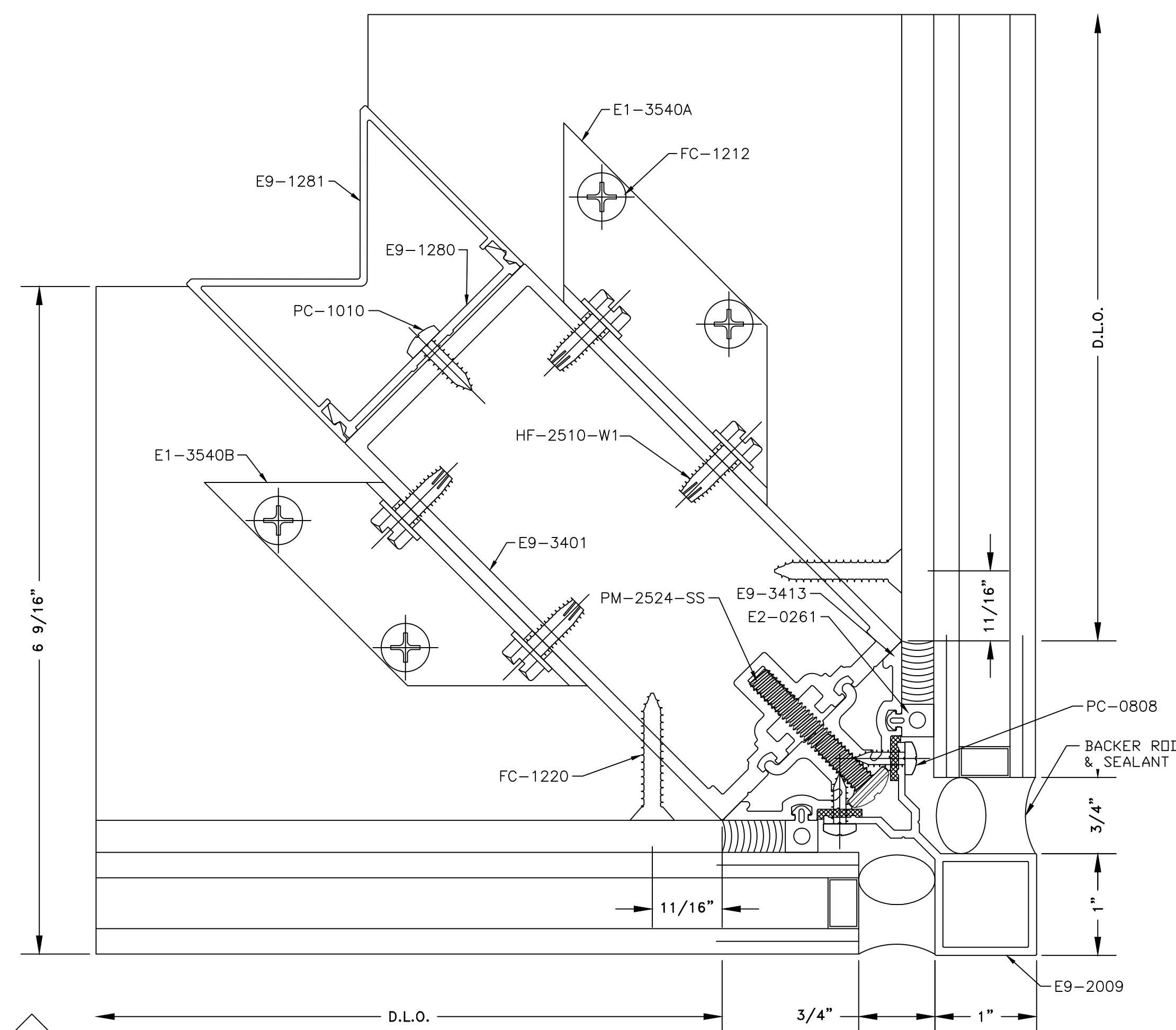
BACKER ROD & SEALANT PER MANUFACTURER'S INSTALLATION INSTRUCTIONS.

.040" BRAKE METAL SILL FLASHING BY EDL

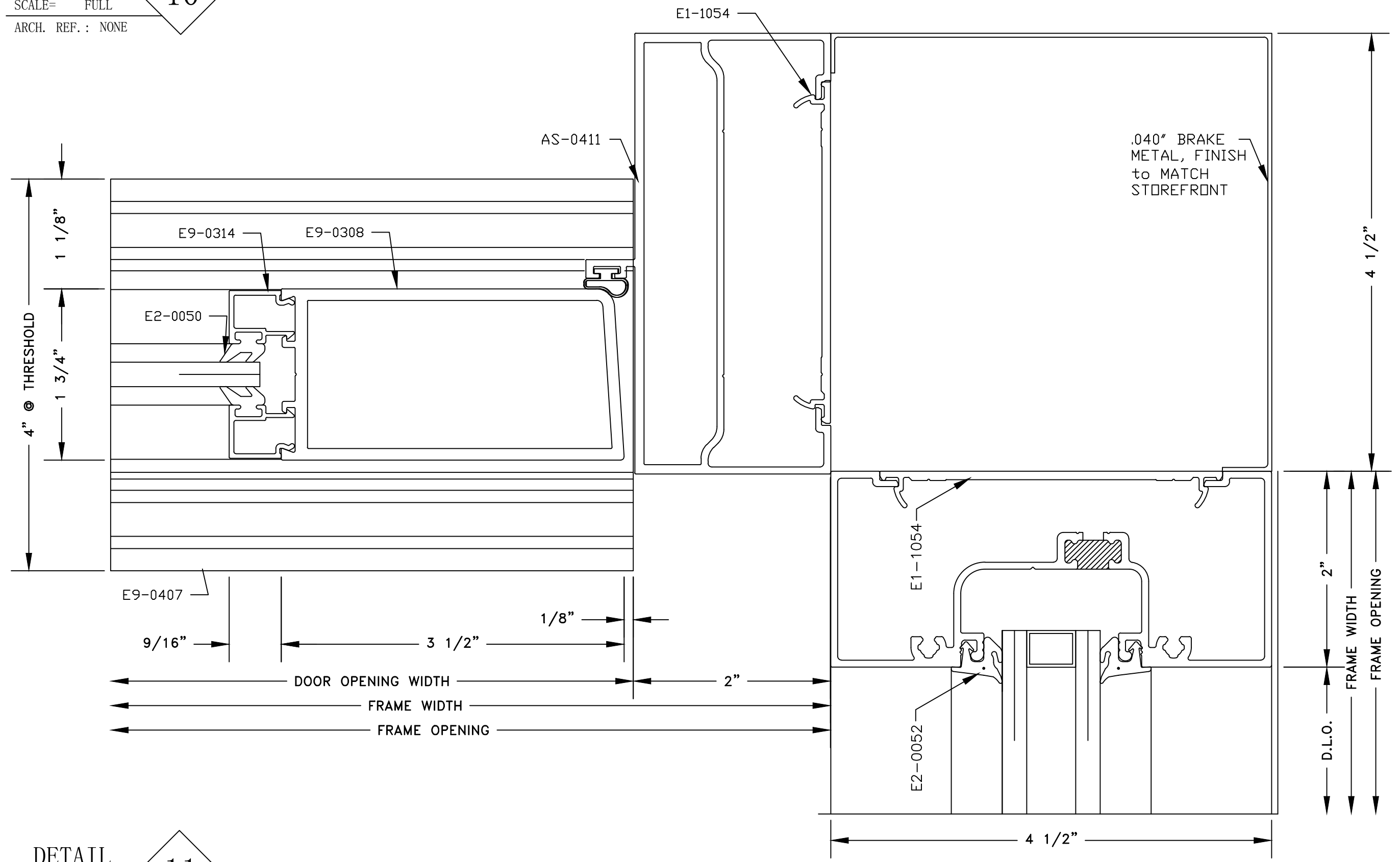
ANCHOR AS REQ'D PER FL #12926-R6 APPROVED DWG's BY EDL

DETAIL 7  
 SCALE= FULL  
 ARCH. REF.: NONE

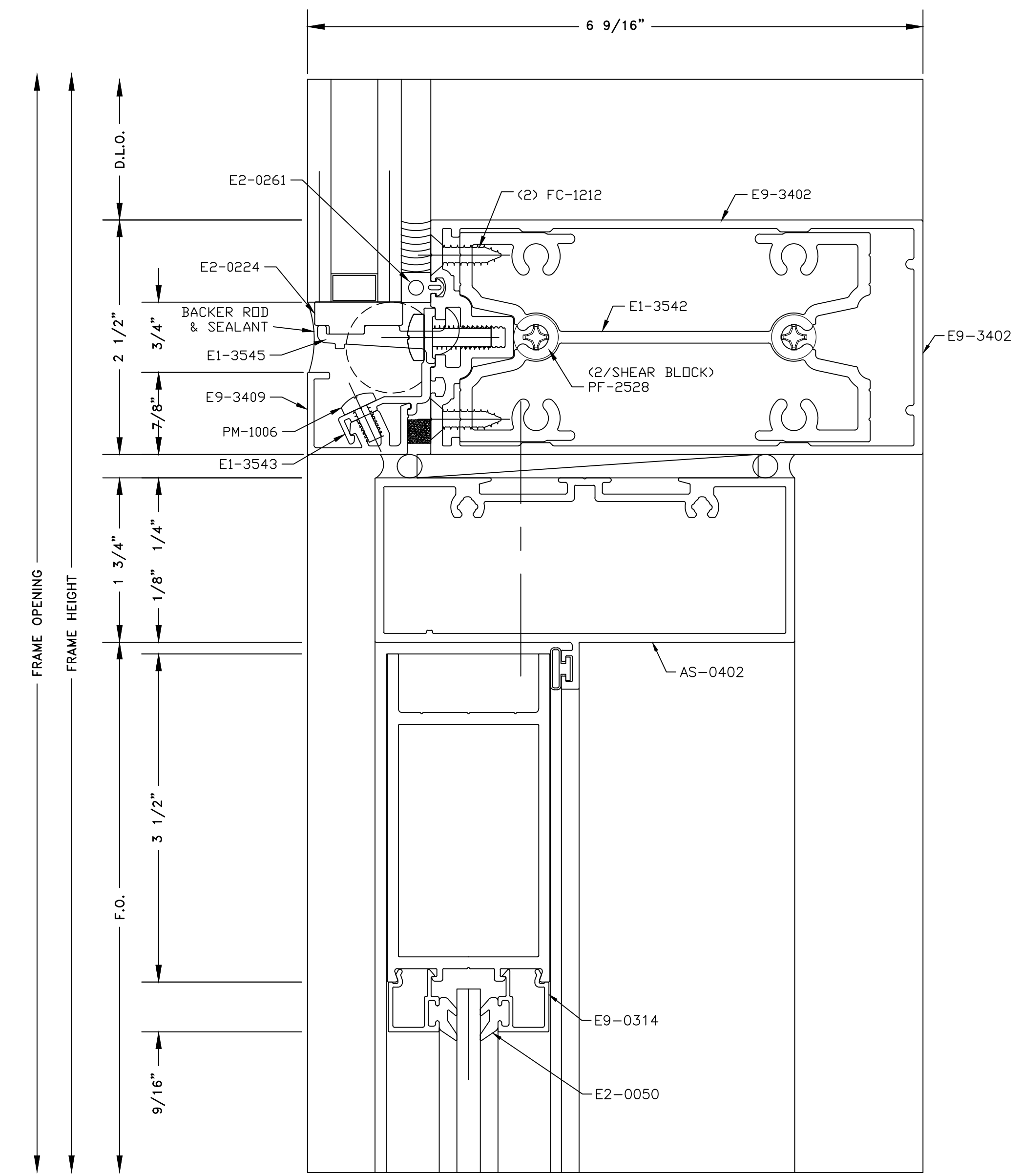




DETAIL 10  
SCALE= FULL  
ARCH. REF.: NONE



DETAIL 11  
SCALE= FULL  
ARCH. REF.: NONE



DETAIL 12  
SCALE= FULL  
ARCH. REF.: NONE



Division 8  
OCALA, Florida - USA  
PH: (321) 419-6703  
rmoxham@div-08.com

**EDL**  
GLAZING CONTRACTOR  
GLAZING LINES  
Residential, Commercial, Glass, Mirror  
311 Altamonte Commerce Blvd #1616  
Altamonte Springs, FL 32714  
www.EDLglazing.com  
PH: (407) 644-4272

CLIENT	20/05/15
REVIEW DATE:	
1st SUBMITTAL	
ISSUE DATE:	
ENGINEER(S)	
REVIEW DATE:	

ICD	BY	DATE	DESCRIPTION

ARCHITECT NAME and LOCATION:  
Finkle + Williams Architecture  
LAKELAND, FL

PROJECT NAME and LOCATION:  
Andy's Frozen Custard  
Lakeland, Florida

SCALE: As Noted  
ENGINEER: dd.l

CHECKED BY: d.s.  
DRAWN BY: dd.l

DESCRIPTION:  
YCW 750 / 35D  
DETAILS

SHEET NUMBER:  
D.3

PRO-200409





Division 8  
 Ocala, Florida - USA  
 PH: (321) 419-6703  
 rmoxham@div-08.com



GLAZING CONTRACTOR:  
 EDL  
 Residential, Commercial, Glass, Mirror  
 311 Altamonte Commerce Blvd #1616  
 Altamonte Springs, FL 32714  
 PH: (407) 644-4272  
 www.EDLglazing.com

CLIENT	20/05/15
REVIEW DATE:	
1st SUBMITTAL	
ISSUE DATE:	
ENGINEER	
REVIEW DATE:	

ICD	
BY	
Issue	
Date	

Revision	Description
rev #	

ARCHITECT NAME and LOCATION:  
 Finkle + Williams Architecture  
 LAKELAND, FL

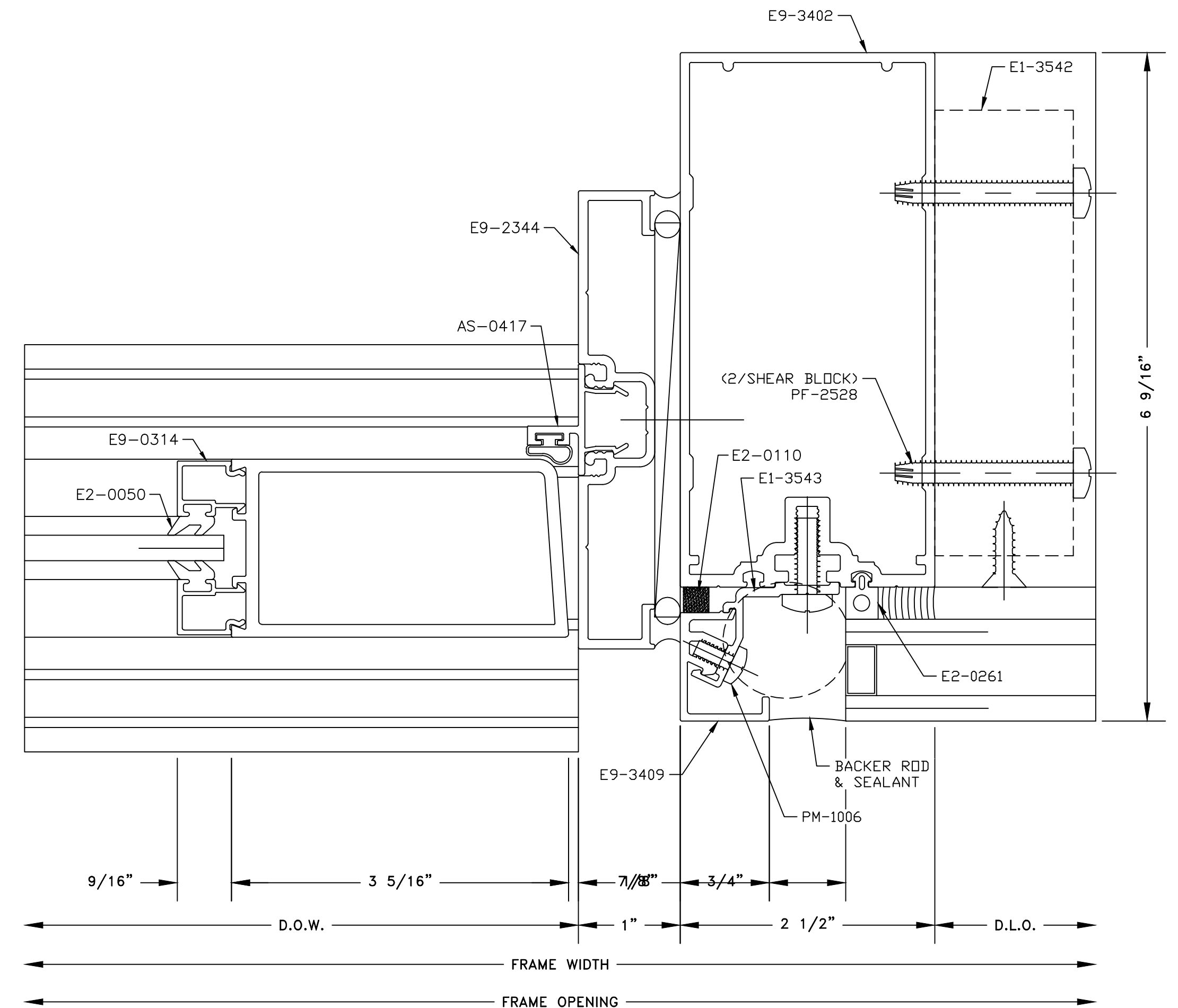
PROJECT NAME and LOCATION:  
 Andy's Frozen Custard  
 Lakeland, Florida

COMPONENTS and CLADDING ENGINEER:

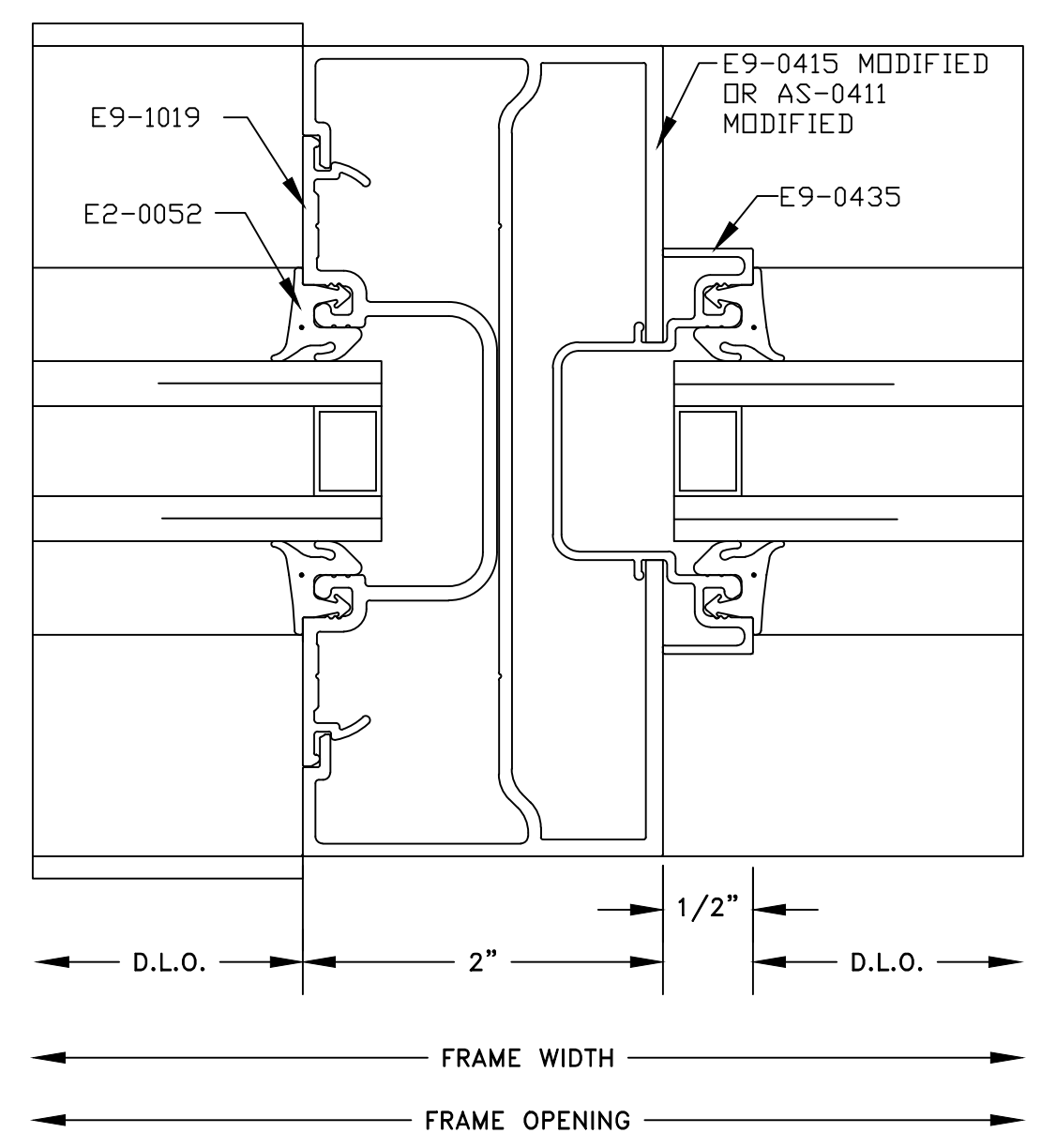
SCALE: As Noted  
 CHECKED BY: d.s.  
 DRAWN BY: dd.l

DESCRIPTION:  
 YCW 750 / 35D  
 DETAILS

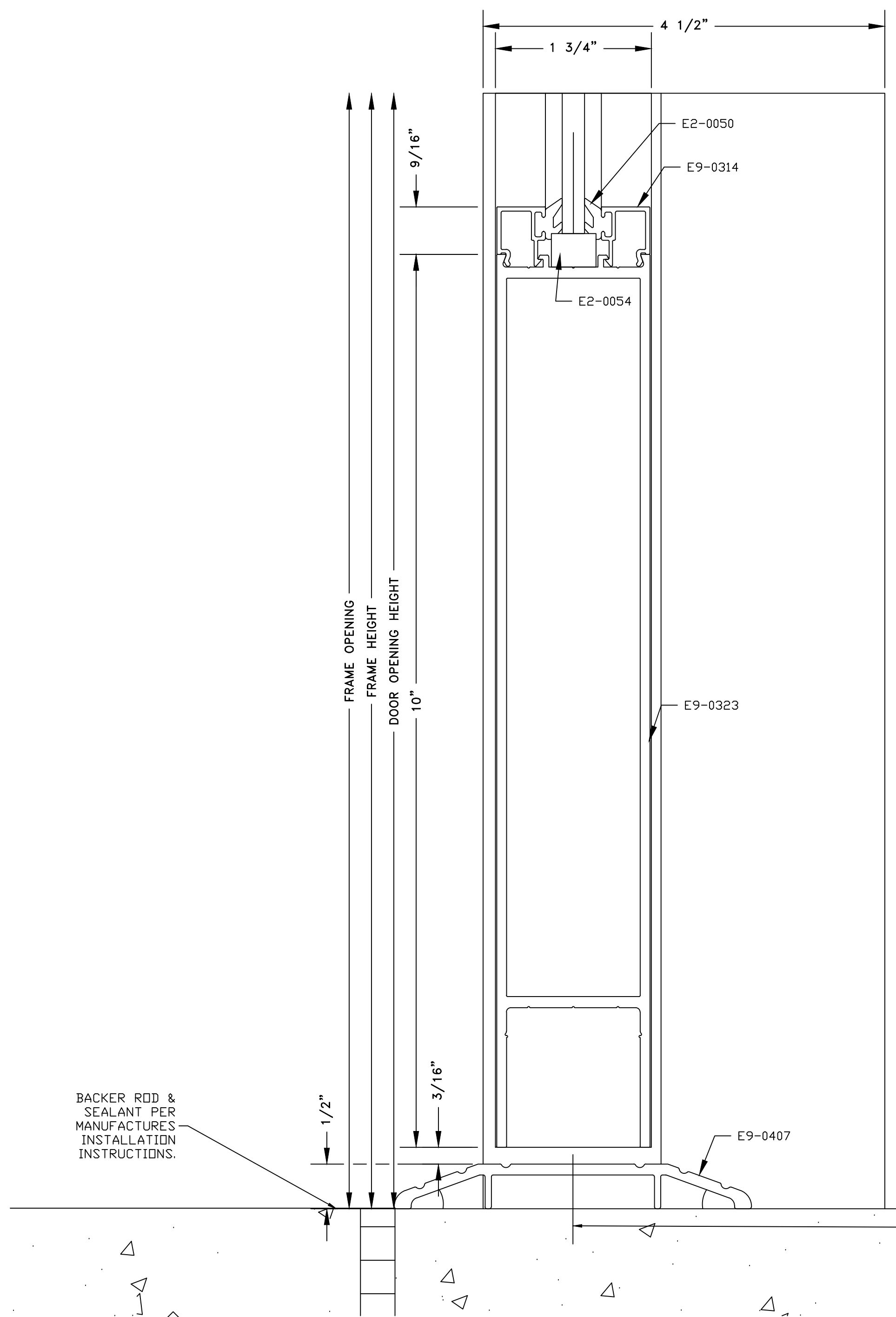
SHEET NUMBER:  
 D.4  
 PRO-200409



DETAIL 14  
 SCALE= FULL  
 ARCH. REF.: NONE

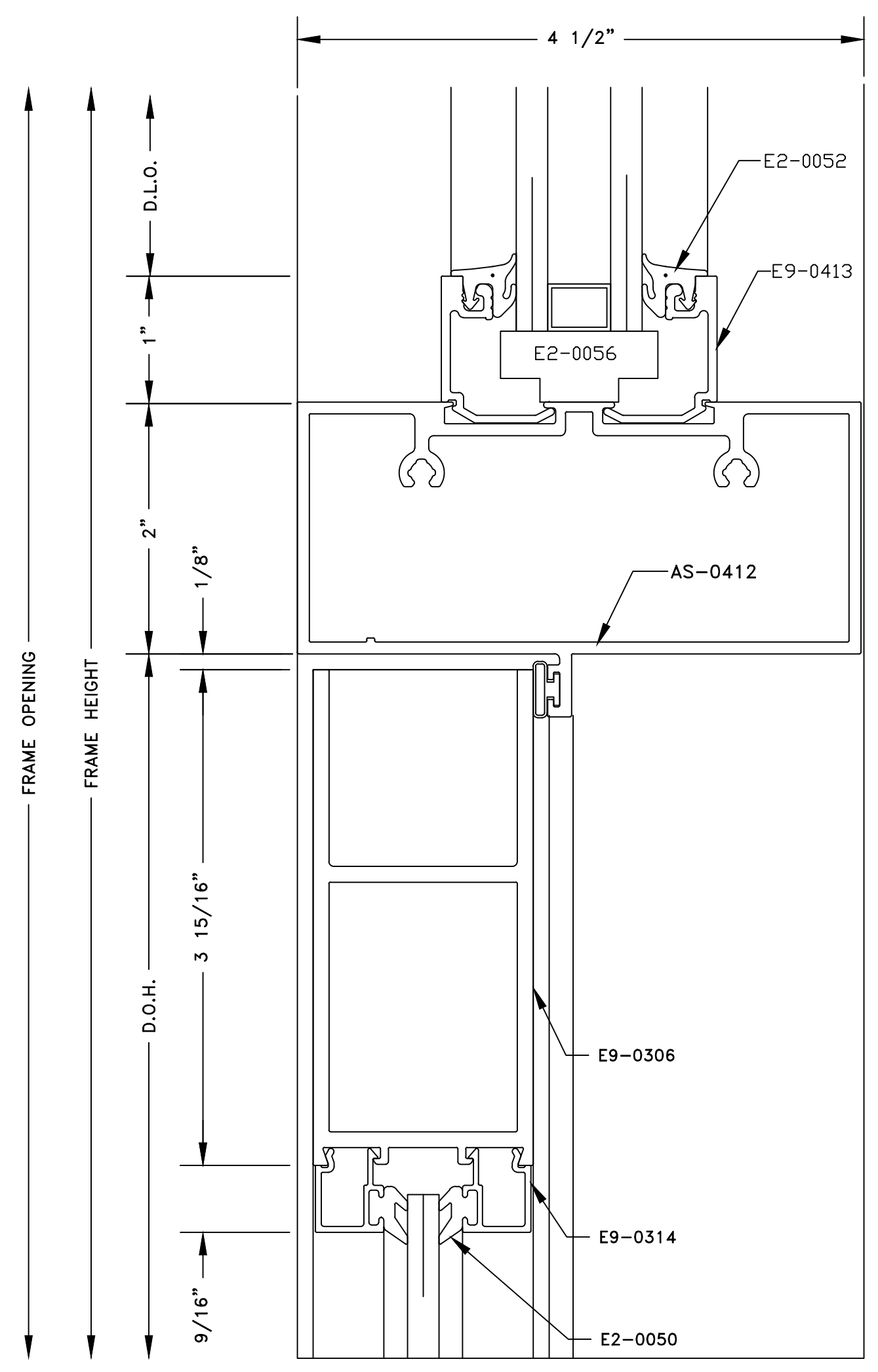


DETAIL 15  
 SCALE= FULL  
 ARCH. REF.: NONE

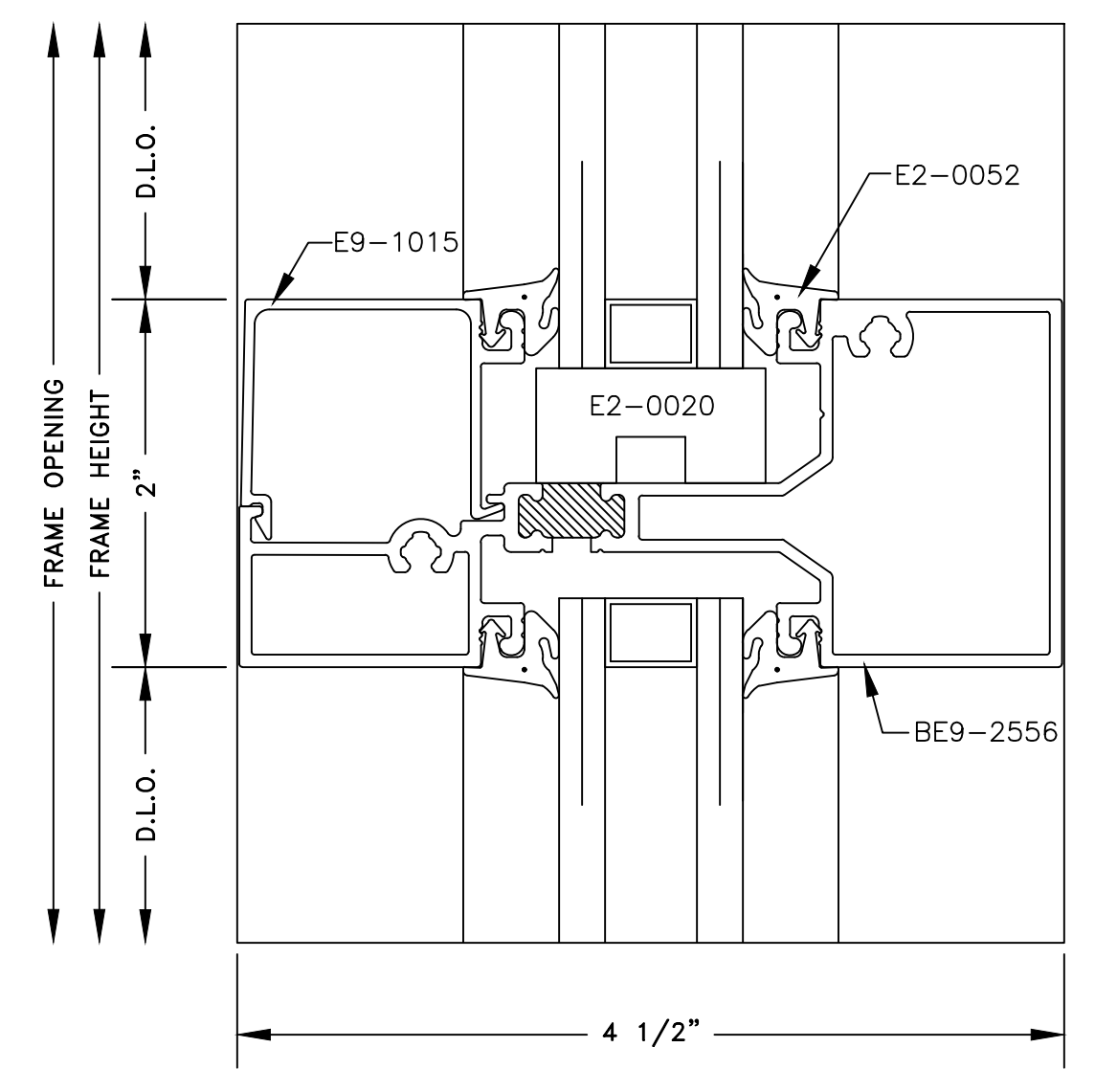


ANCHOR AS REQ'D  
 PER FL #12892-R4  
 APPROVED DWG's  
 BY EDL

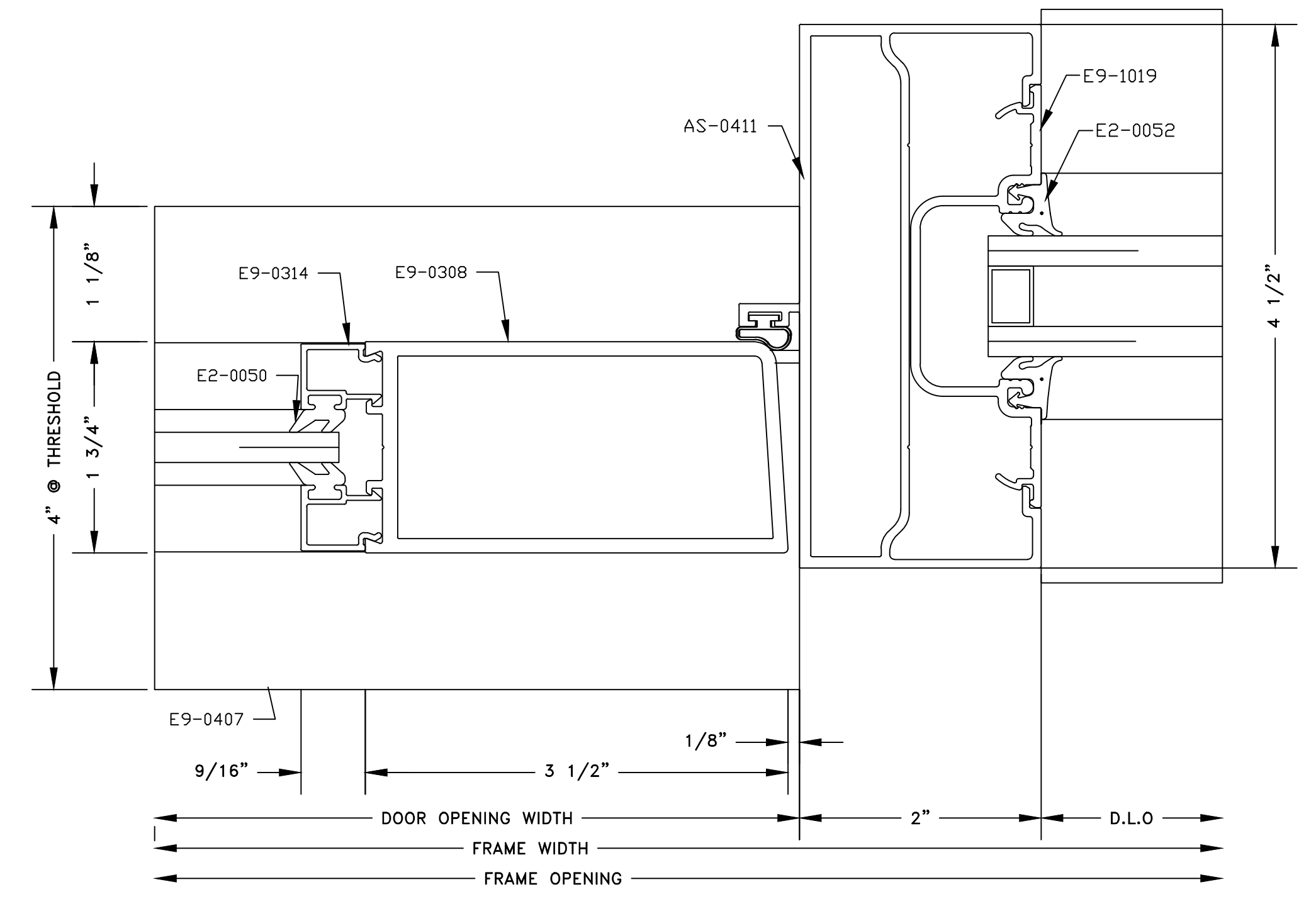
DETAIL 13  
 SCALE= FULL  
 ARCH. REF.: NONE



DETAIL 16  
SCALE= FULL  
ARCH. REF.: NONE



DETAIL 17  
SCALE= FULL  
ARCH. REF.: NONE



DETAIL 18  
SCALE= FULL  
ARCH. REF.: NONE



Division 8  
OCALA, Florida - USA  
PH: (321) 419-6703  
rmoxham@div-08.com

**EDL**  
GLAZING CONTRACTOR:  
GLAZING LINES  
Residential, Commercial, Glass, Mirror  
311 Altamonte Commerce Blvd #1616  
Altamonte Springs, FL 32714  
www.EDLglazing.com  
PH: (407) 644-4272

CLIENT	20/05/15
REVIEW DATE:	
1st SUBMITTAL	
ISSUE DATE:	
ENGINEER	
REVIEW DATE:	

ICD	
BY	
Date	

Revision Description	rev #

COMPONENTS and CLADDING ENGINEER:

ARCHITECT NAME and LOCATION:  
Finkle + Williams Architecture  
LAKELAND, FL

PROJECT NAME and LOCATION:  
Andy's Frozen Custard  
Lakeland, Florida

SCALE: As Noted ENGINEER:

CHECKED BY: d.s. DRAWN BY: dd.l

DESCRIPTION:  
YES 45 TU / 35D  
DETAILS

SHEET NUMBER:  
D.5

PRO-200409





Division 8  
 Ocala, Florida - USA  
 PH: (321) 419-6703  
 rmoxham@div-08.com

**EDL**  
**GLAZING LINES**  
 Residential, Commercial, Glass, Mirror  
 311 Altamonte Commerce Blvd #1616  
 Altamonte Springs, FL 32714  
 PH: (407) 644-4272  
 www.EDLglazing.com

CLIENT REVIEW DATE: 20/05/15  
 1st SUBMITTAL ISSUE DATE:  
 ENGINEER REVIEW DATE:

ICD BY:  
 Issue Date:

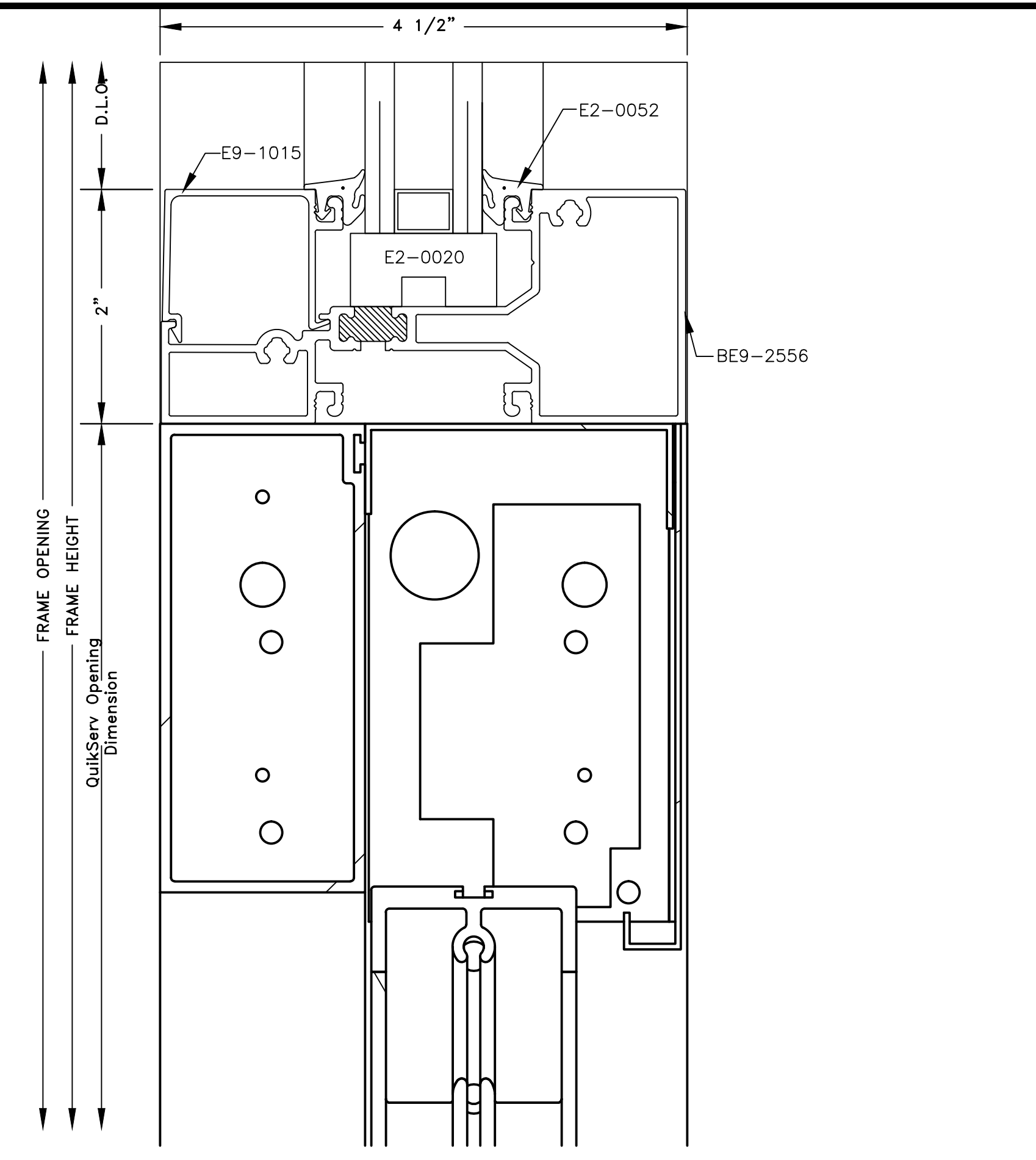
Revision Description	Issue Date	ICD BY	CLIENT REVIEW DATE

COMPONENTS and CLADDING ENGINEER:  
 ARCHITECT NAME and LOCATION:  
 Finkle + Williams Architecture  
 LAKELAND, FL  
 PROJECT NAME and LOCATION:  
 Andy's Frozen Custard  
 Lakeland, Florida

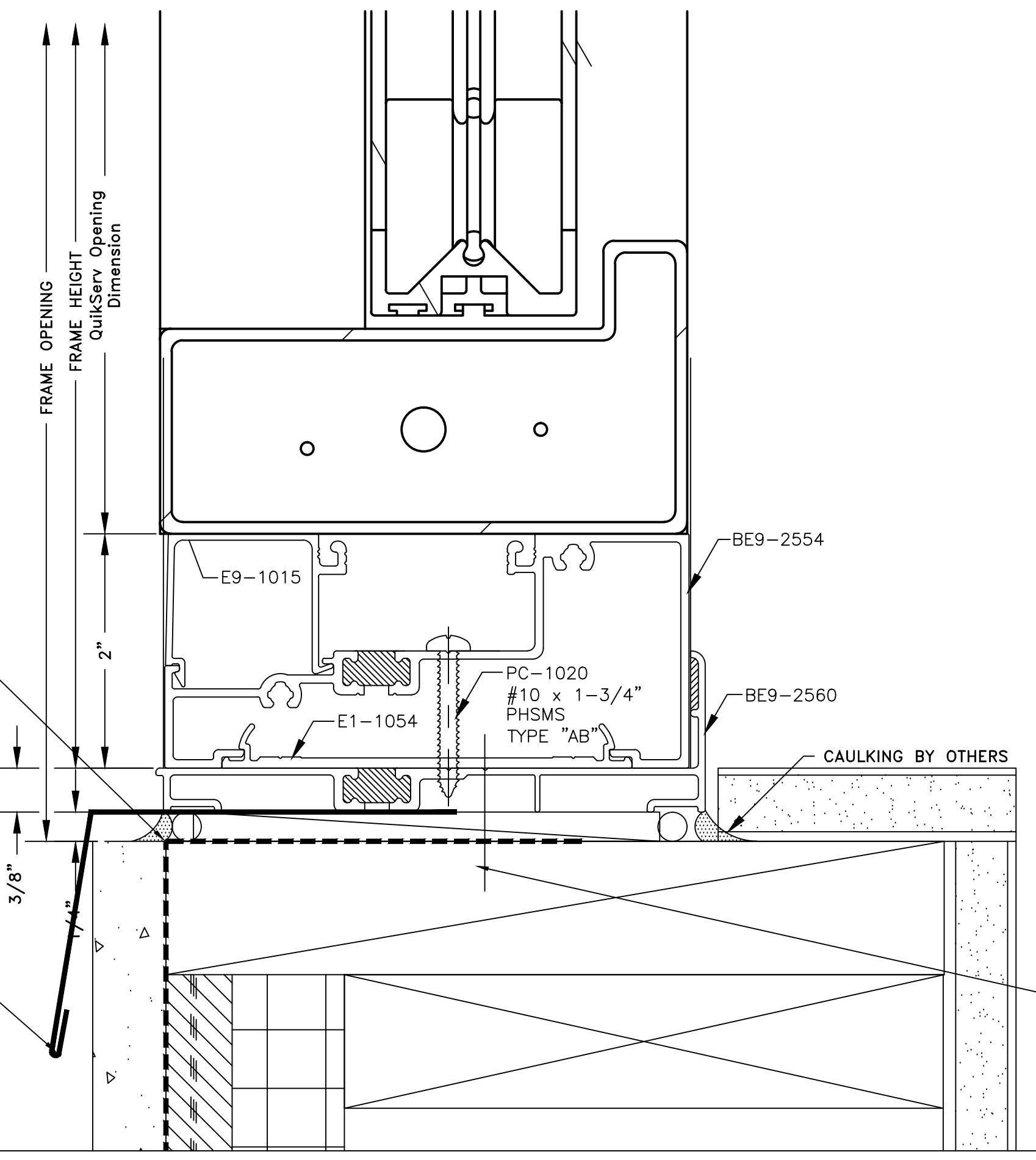
SCALE: As Noted  
 ENGINEER:  
 CHECKED BY: d.s.  
 DRAWN BY: dd.l

DESCRIPTION:  
 YES 45/QuikServ DETAILS

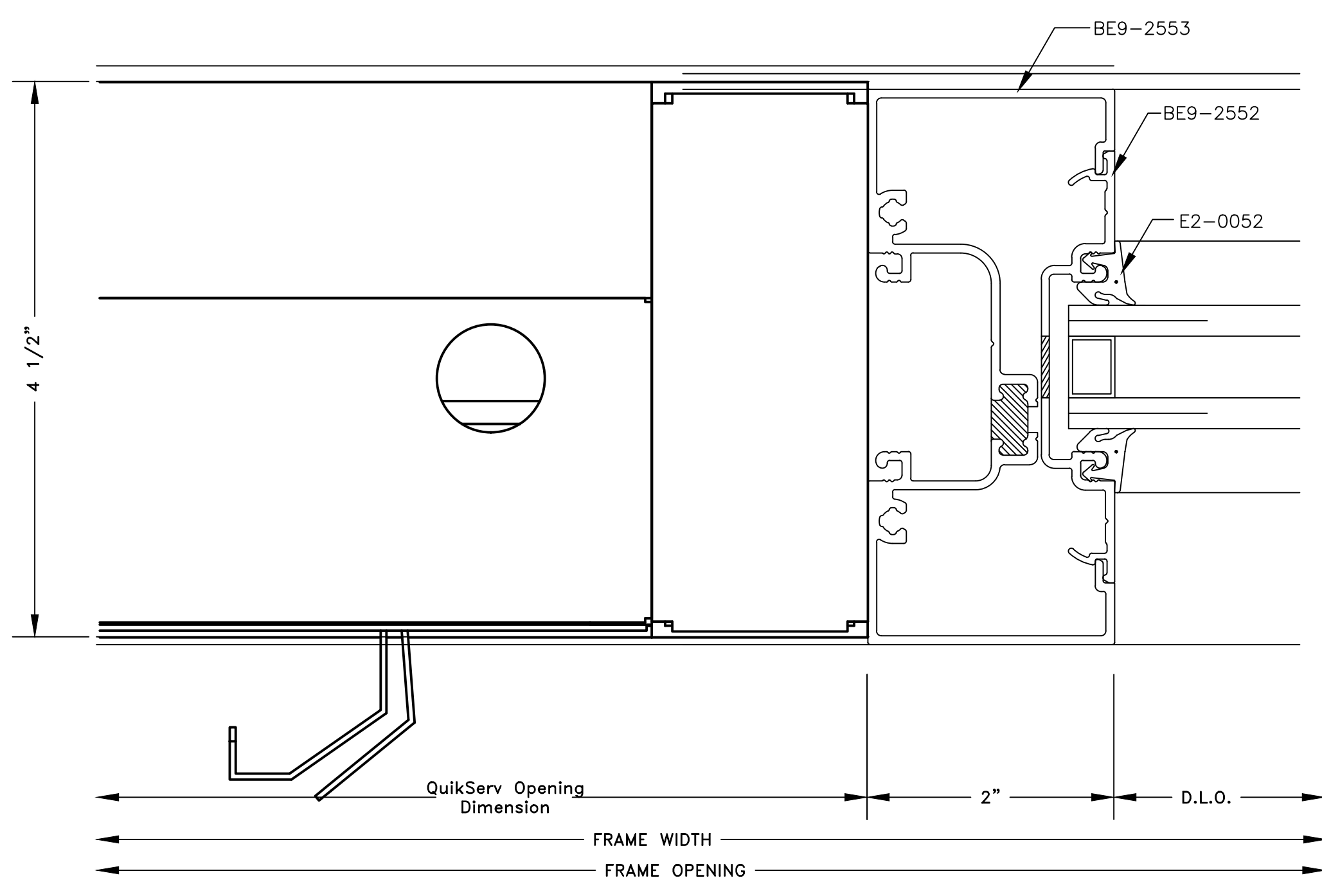
SHEET NUMBER:  
 D.6  
 PRO-200409



DETAIL 19  
 SCALE= FULL  
 ARCH. REF.: NONE

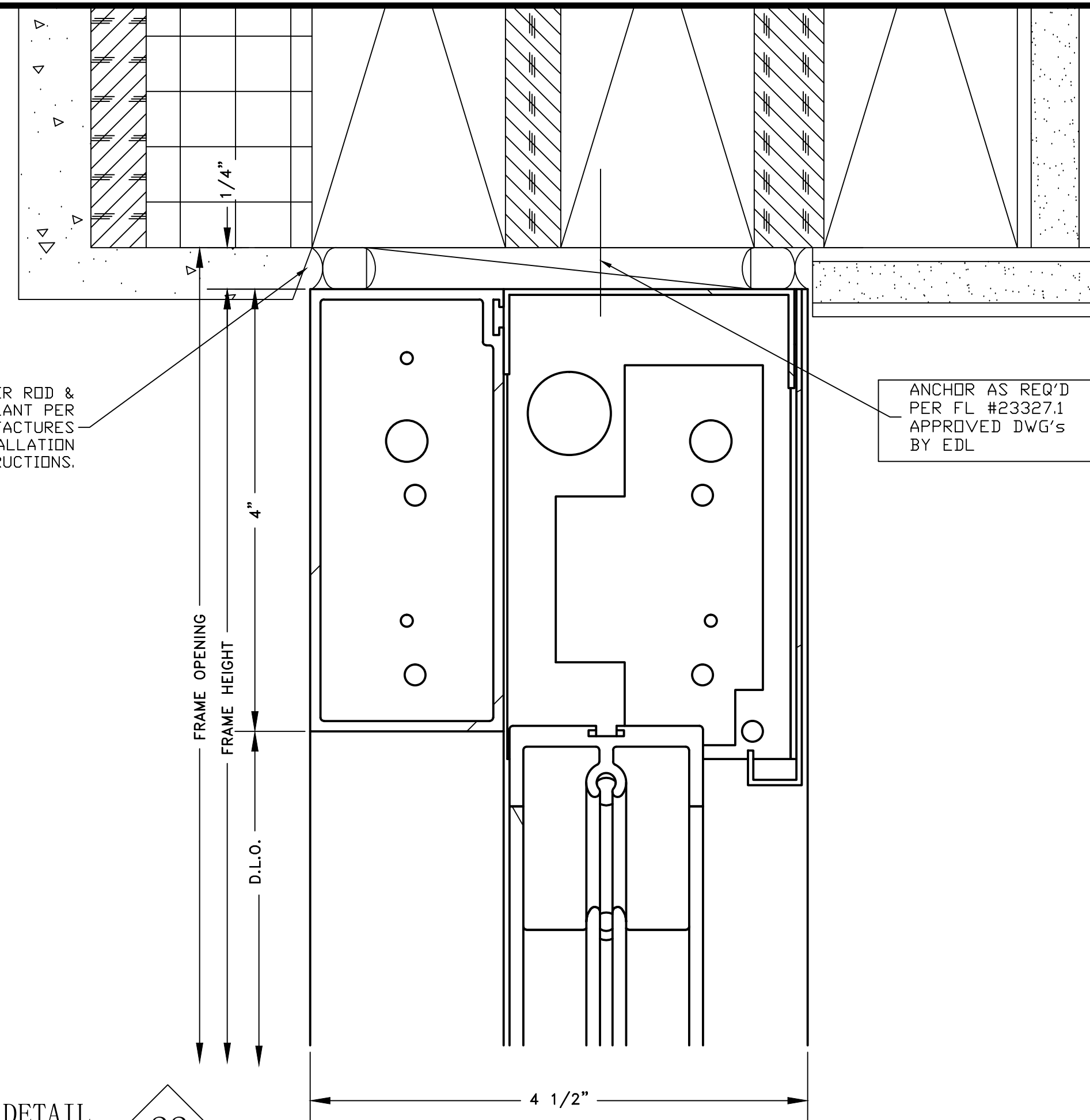


DETAIL 20  
 SCALE= FULL  
 ARCH. REF.: NONE

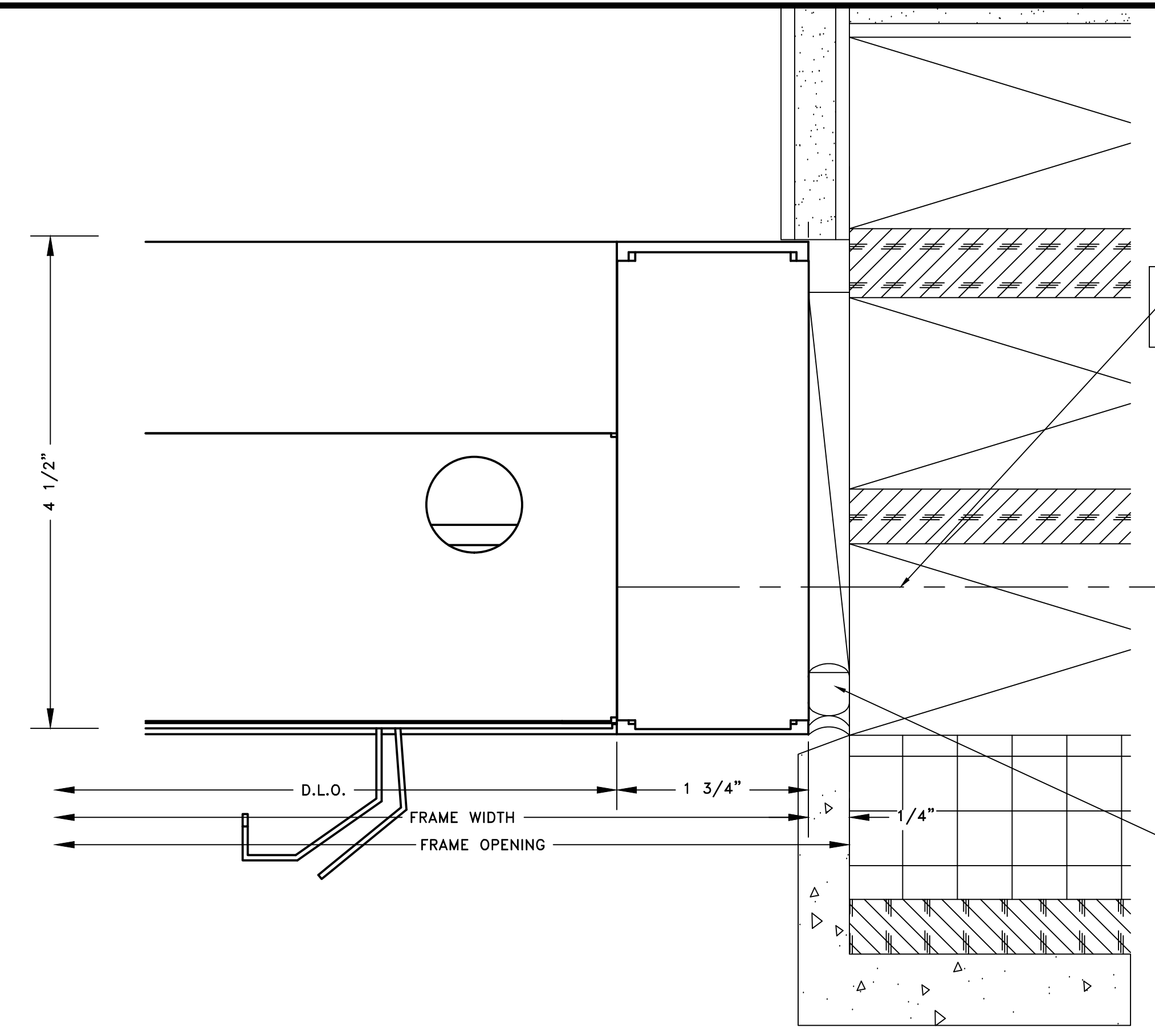


DETAIL 21  
 SCALE= FULL  
 ARCH. REF.: NONE

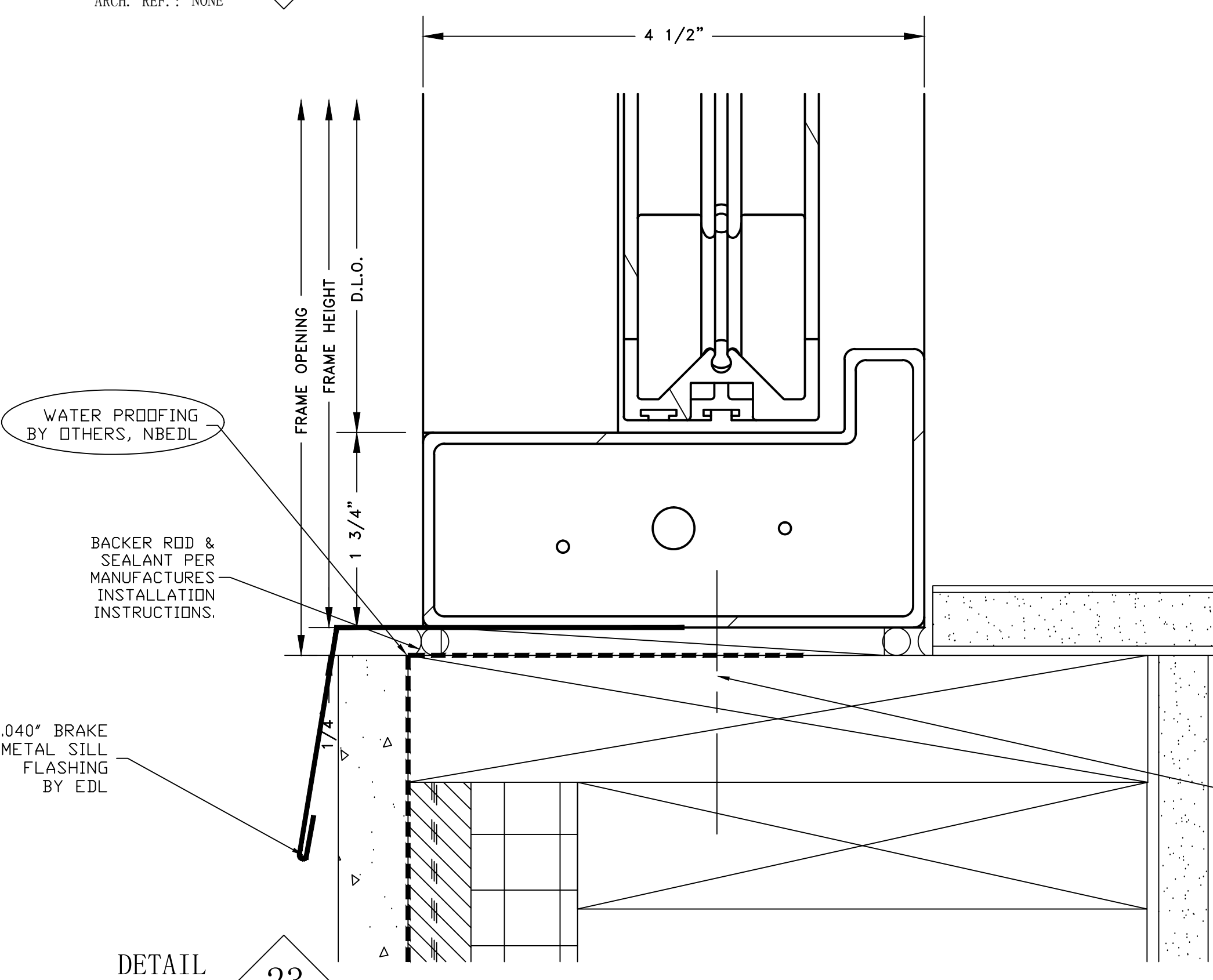
ANCHOR AS REQ'D PER FL #12926-R6 APPROVED DWG'S BY EDL



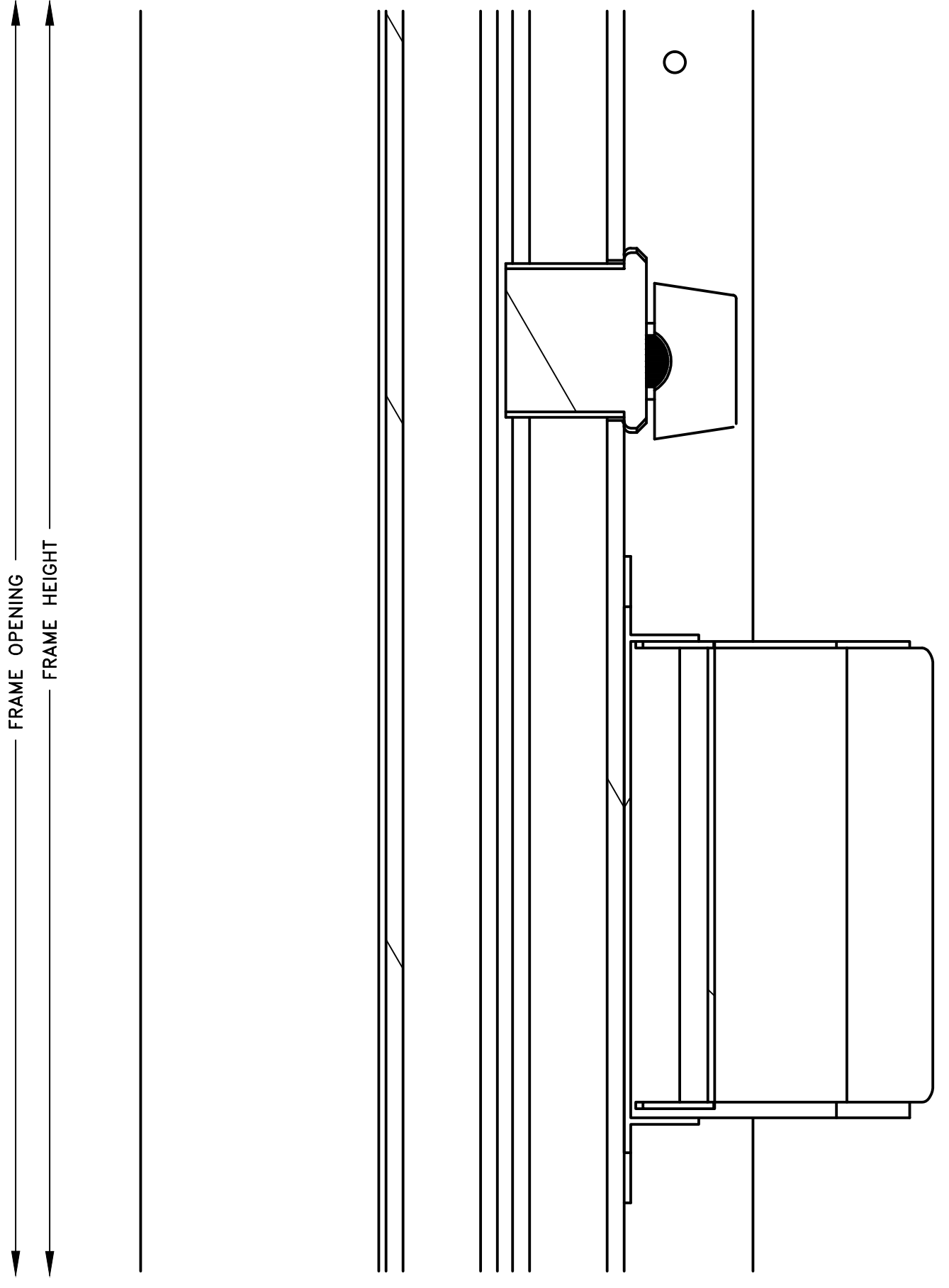
DETAIL 22  
SCALE= FULL  
ARCH. REF.: NONE



DETAIL 25  
SCALE= FULL  
ARCH. REF.: NONE



DETAIL 23  
SCALE= FULL  
ARCH. REF.: NONE



DETAIL 26  
SCALE= FULL  
ARCH. REF.: NONE



Division 8  
OCALA, Florida - USA  
PH: (321) 419-6703  
rmoxham@div-08.com

**EDL**  
GLAZING CONTRACTOR  
GLAZING CONTRACTOR  
Residential, Commercial, Glass, Mirror  
311 Altamonte Commerce Blvd #1616  
Altamonte Springs, FL 32714  
PH: (407) 644-4272  
www.EDLglazing.com

CLIENT REVIEW DATE: 20/05/15  
1st SUBMITTAL ISSUE DATE:  
ENGINEER REVIEW DATE:

ICD BY:  
By:  
Issue Date:

Revision Description	rev #

COMPONENTS and CLADDING ENGINEER:  
ARCHITECT NAME and LOCATION:  
Finkle + Williams Architecture  
LAKELAND, FL  
PROJECT NAME and LOCATION:  
Andy's Frozen Custard  
Lakeland, Florida

SCALE: As Noted  
ENGINEER: d.s.  
CHECKED BY: dd.l  
DRAWN BY: dd.l

DESCRIPTION:  
YES 45/QuikServ  
DETAILS

SHEET NUMBER:  
D.7  
PRO-200409





Division 8  
 Ocala, Florida - USA  
 PH: (321) 419-6703  
 rmoxham@div-08.com

**EDL**  
 GLAZING LINES  
 Residential, Commercial, Glass, Mirror  
 311 Altamonte Commerce Blvd #1616  
 Altamonte Springs, FL 32714  
 www.EDLglazing.com  
 PH: (407) 644-4272

CLIENT: 20/05/15  
 REVIEW DATE: 20/05/15  
 1st SUBMITTAL DATE: 20/05/15  
 ENGINEER'S REVIEW DATE: 20/05/15

ICD BY: [ ]  
 BY: [ ]  
 Issue Date: [ ]  
 Revision Description: [ ]  
 rev # [ ]

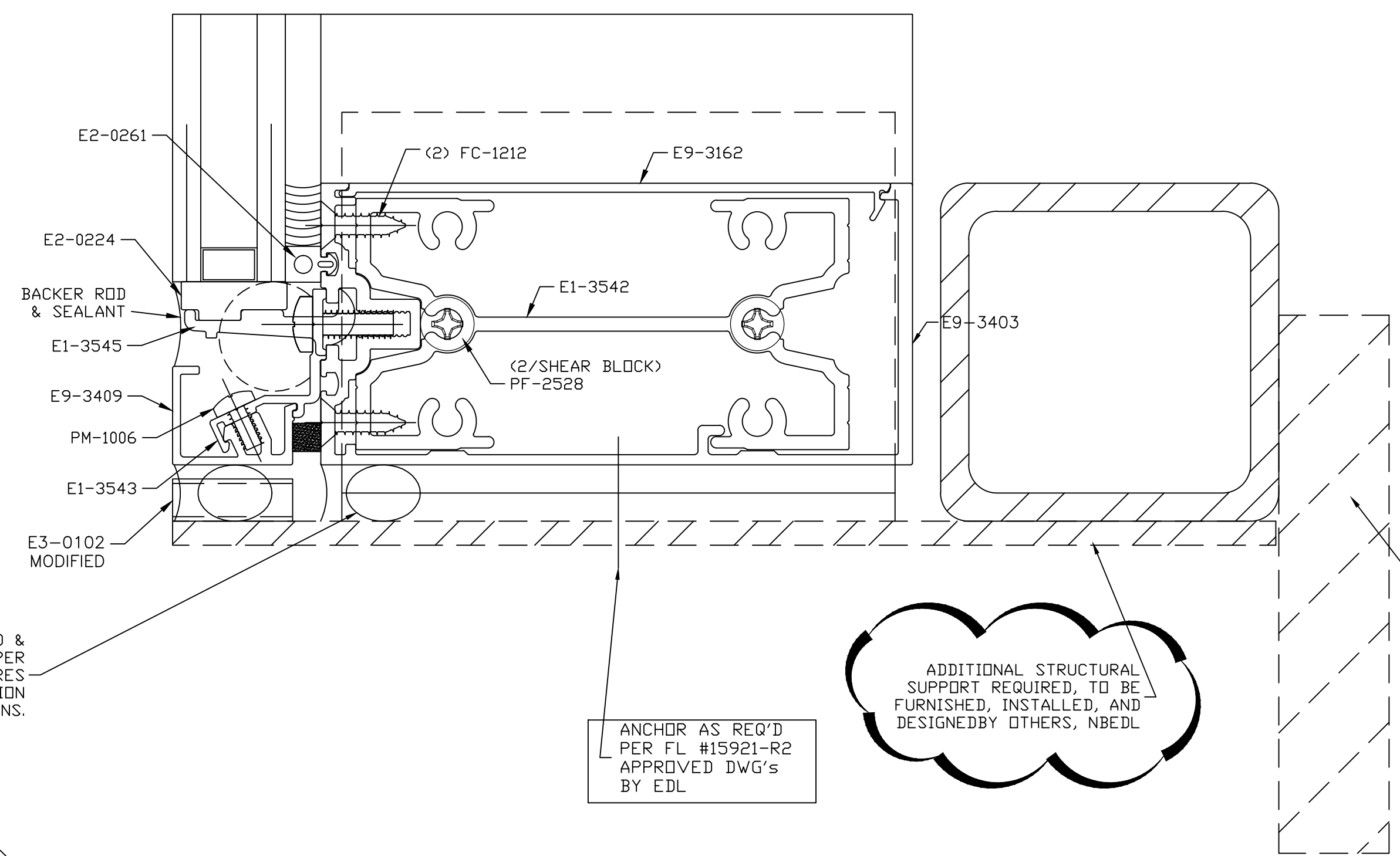
ICD BY:	
BY:	
Issue Date:	
Revision Description:	
rev #	

COMPONENTS and CLADDING ENGINEER:  
 ARCHITECT NAME and LOCATION:  
 Finkle + Williams Architecture  
 LAKELAND, FL  
 PROJECT NAME and LOCATION:  
 Andy's Frozen Custard  
 Lakeland, Florida

SCALE: As Noted  
 ENGINEER: [ ]  
 CHECKED BY: d.s.  
 DRAWN BY: dd.l

DESCRIPTION:  
 YCW 750 SSG DETAILS

SHEET NUMBER:  
 D.8  
 PRO-200409

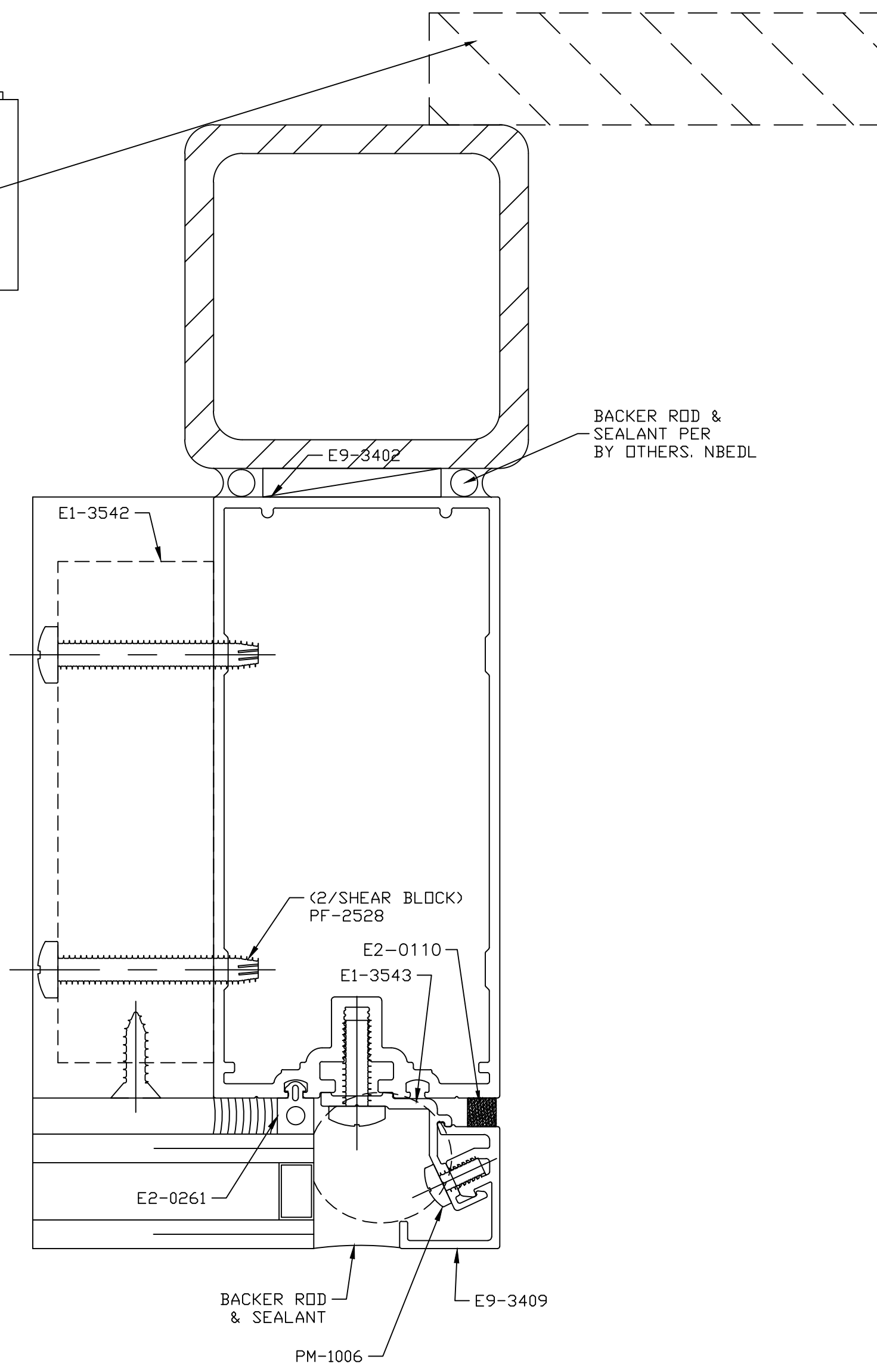


\*ROLL UP DOOR BY OTHERS, NBEDL. IS THE ROLL UP DOOR RESPONSIBILITY TO CREATE A WATER PROOF SEAL BETWEEN CURTAIN WALL SYSTEM AND ROLL UP DOOR.\* (TYPICAL)

\*ROLL UP DOOR BY OTHERS, NBEDL. IS THE ROLL UP DOOR RESPONSIBILITY TO CREATE A WATER PROOF SEAL BETWEEN CURTAIN WALL SYSTEM AND ROLL UP DOOR.\* (TYPICAL)

ADDITIONAL STRUCTURAL SUPPORT REQUIRED, TO BE FURNISHED, INSTALLED, AND DESIGNED BY OTHERS, NBEDL

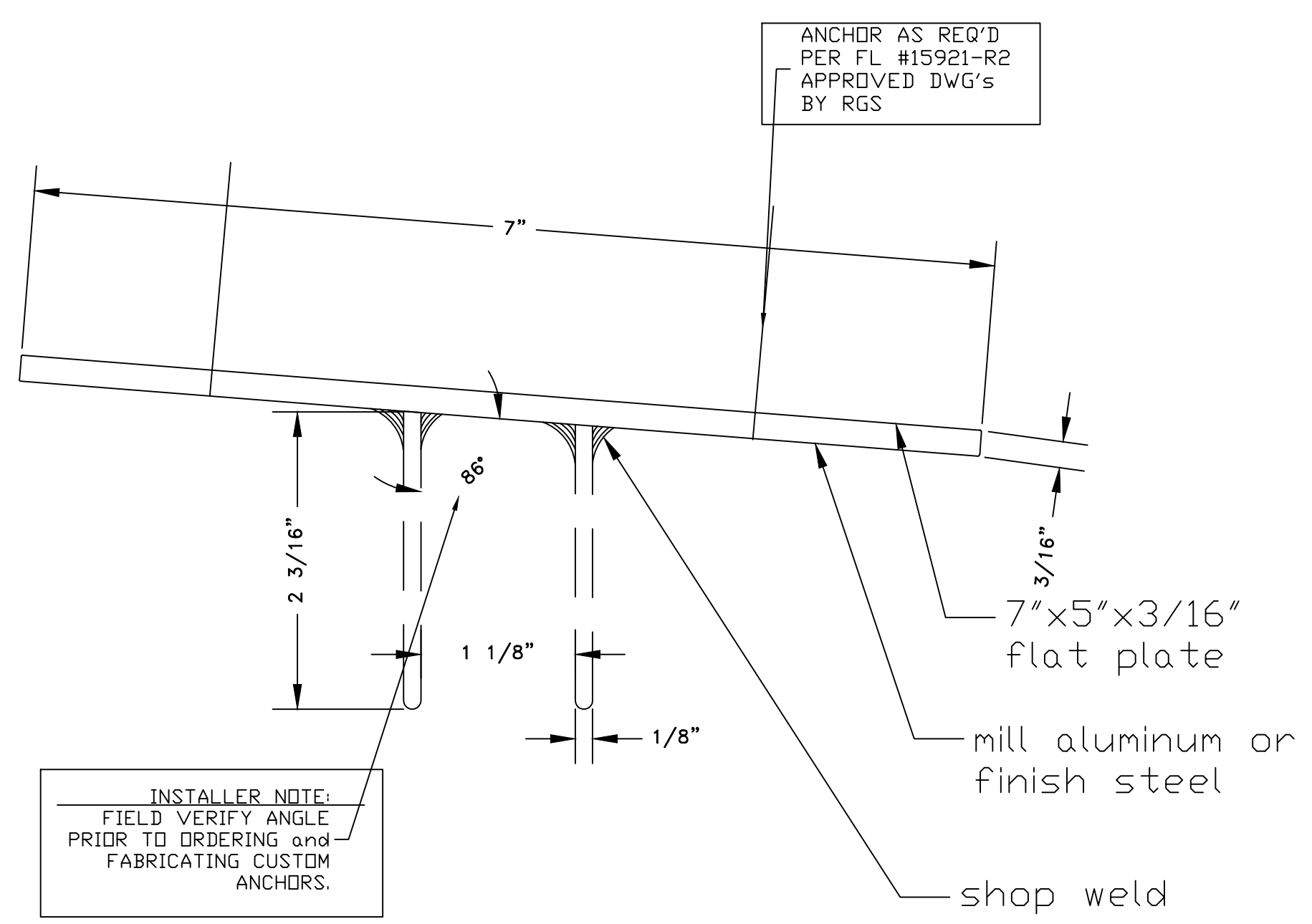
ANCHOR AS REQ'D PER FL #15921-R2 APPROVED DWG'S BY EDL



BACKER ROD & SEALANT PER BY OTHERS, NBEDL

DETAIL 28  
 SCALE= FULL  
 ARCH. REF.: 12/AS.02

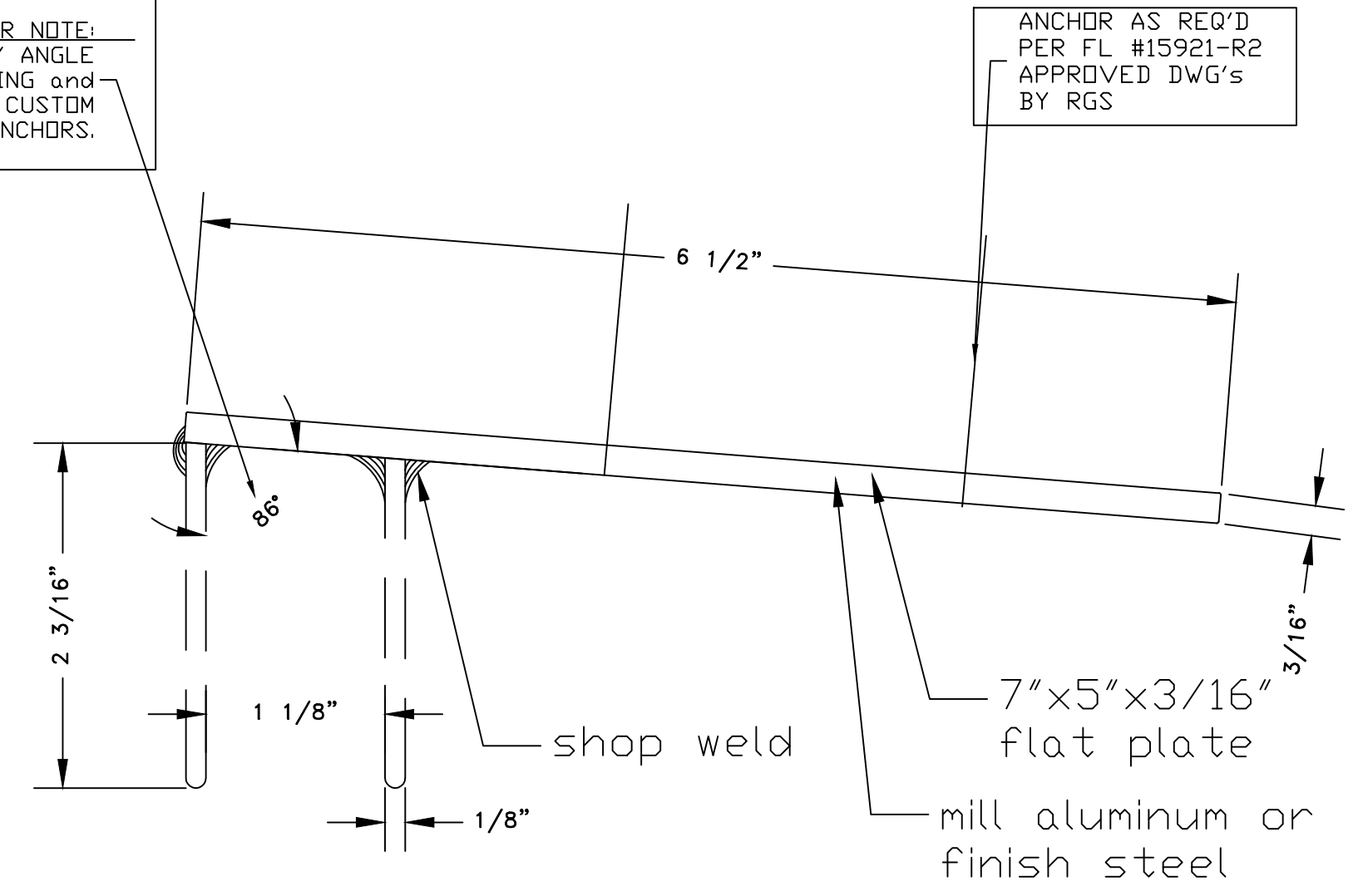
DETAIL 27  
 SCALE= FULL  
 ARCH. REF.: NONE



ANCHOR AS REQ'D PER FL #15921-R2 APPROVED DWG'S BY RGS

INSTALLER NOTE: FIELD VERIFY ANGLE PRIOR TO ORDERING and FABRICATING CUSTOM ANCHORS.

DETAIL T.1 CUSTOM T-ANCHOR  
 SCALE= FULL  
 ARCH. REF.: NONE



ANCHOR AS REQ'D PER FL #15921-R2 APPROVED DWG'S BY RGS

DETAIL F.1 CUSTOM F-ANCHOR  
 SCALE= FULL  
 ARCH. REF.: NONE